

For our other free eBooks,

Go to: [1 - 100 Transistor Circuits](#)

Go to: [101 - 200 Transistor Circuits](#)

Go to: [100 IC Circuits](#)

For more data on the 555, see these pages:

| | |
|----------------------------|--|
| 555-Page 1 | for CD users: 555-Page 1 |
| 555-Page 2 | 555-Page 2 |
| 555-Page 3 | 555-Page 3 |
| 555-Test | 555-Test |

To learn about the development and history of the 555, go to these links:

http://semiconductormuseum.com/Museum_Index.htm - a general discussion about the development of the transistor

http://semiconductormuseum.com/Transistors/LectureHall/Camenzind/Camenzind_Index.htm - history of the 555 - Page1

http://www.semiconductormuseum.com/Transistors/LectureHall/Camenzind/Camenzind_Page2.htm - history of the 555 - Page2

http://www.semiconductormuseum.com/Transistors/LectureHall/Camenzind/Camenzind_Page3.htm - history of the 555 - Page3

http://www.semiconductormuseum.com/Transistors/LectureHall/Camenzind/Camenzind_Page4.htm - history of the 555 - Page4
http://www.semiconductormuseum.com/Transistors/LectureHall/Camenzind/Camenzind_Page5.htm - history of the 555 - Page5
http://www.semiconductormuseum.com/Transistors/LectureHall/Camenzind/Camenzind_Page6.htm - history of the 555 - Page6
http://www.semiconductormuseum.com/Transistors/LectureHall/Camenzind/Camenzind_Page7.htm - history of the 555 - Page7
http://www.semiconductormuseum.com/Transistors/LectureHall/Camenzind/Camenzind_Page8.htm - history of the 555 - Page8
http://www.semiconductormuseum.com/Transistors/LectureHall/Camenzind/Camenzind_Page9.htm - history of the 555 - Page9
http://www.semiconductormuseum.com/Transistors/LectureHall/Camenzind/Camenzind_Page10.htm - history of the 555 - Page10

For a list of every electronic symbol, see: [Circuit Symbols](#).

For more articles and projects to suit the hobbyist: see [TALKING ELECTRONICS WEBSITE](#)

Save 50 - 555 Circuits (actually 76 Circuits) as: [zip](#) (1.9MB) or [.doc](#) (1.5MB) or [.pdf](#) (1MB) (21-3-2010)

54 CIRCUITS as of 29-11-2009 Rev1.2 29-11-2009 - added [Hysteresis \(Schmitt Trigger\)](#), [Knight Rider-2](#), [Morse Code](#),

[Music Box](#), [Reaction Timer Game](#)

61 CIRCUITS as of 5-12-2009 Rev1.3 5-12-2009 - added [Traffic Lights](#), [Driving White LEDs](#), [TV Remote Control Jammer](#),

[3x3x3 Cube](#), [Up/Down Fading LED](#), [H-Bridge](#), [H-Bridge with PWM](#).

64 CIRCUITS as of 14-12-2009 [Bike Turning Signal](#), [555 on 24v](#), [Police Lights](#), [LED Dice](#), [Roulette](#), [Model Railway Time](#)

71 CIRCUITS as of 1-1-2010 plus: [Servo Controller](#), [Curtain Closer](#), [Stepper Motor Controller](#), [4-way Traffic Lights](#),

[TE555-1 Chip: Stepper Motor Controller](#),

76 CIRCUITS as of 10-1-2010 plus: [Useless Machine](#), [Animated Display](#), [4 Alarm Sounds](#), [Police Lights-3](#), [Dice to 7-Segment Display](#)

[LED FX](#)

Talking Electronics

See [TALKING ELECTRONICS WEBSITE](#)

email Colin Mitchell: talking@tpg.com.au

INTRODUCTION

This e-book covers the 555.

The 555 is everywhere and it is one of the cheapest and most-rugged chips on the market.

It comes as a TTL 555 and will operate from 4v to about 16-18v. It costs from 20 cents (eBay) to \$1.20 depending on the quantity and distributor. The circuitry inside the chip takes about 10mA - even when the output is not driving a load. This means it is not suitable for battery operation if the chip is to be powered ALL THE TIME.

The 555 is also available as a CMOS chip (ICM7555 or ICL7555 or TLC555) and will operate from 2v to 18v and takes 60uA when the circuitry inside the chip is powered.

The "7555" costs from 60 cents (eBay) to \$2.00

We call the TTL version "555" and the CMOS version "7555." This is called ELECTRONICS JARGON.

The 555 comes as a single timer in an 8-pin package or a dual timer (556) in a 14 pin package.

The 7555 comes as a single timer in an 8-pin package or a dual timer (7556) in a 14 pin package.

The 555 and 7555 are called TIMERS or Timer Chips. They contain about 28 transistors and the only extra components you need are called TIMING COMPONENTS. This is an external resistor and capacitor. When a capacitor is connected to a voltage, it takes a period of time to charge. If a resistor is placed in series with the capacitor, the timing will increase. The chip detects the rising and falling voltage on the capacitor. When the voltage on the capacitor is 2/3 of the supply the output goes LOW and when the voltage falls to 1/3, the output goes HIGH.

We can also do other things with the chip such as "freezing" or halting its operation, or allowing it to produce a single HIGH-LOW on the output pin. This is called a "ONE-SHOT" or MONOSTABLE OPERATION.

When the chip produces an output frequency above 1 cycle per second, (1Hz), the circuit is called an OSCILLATOR and below one cycle per second, it is called a TIMER. But the chip should not be called a "555 Timer," as it has so many applications. That's why we call it a "555." (triple 5)

For photos of nearly every electronic component, see this website:

https://www.egr.msu.edu/eceshop/Parts_Inventory/totalinventory.php

You can also search the web for videos showing the 555 in action.

Here are a few:

[Making A 555 LED Flasher - Video Tutorial](#)

[Three 555 LED Flasher](#)

[555 Timer Flasher](#)

[Fading LED with 555 timer](#)

Each website has lots more videos and you can see exactly how the circuits work. But there is nothing like building the circuit and that's why you need to re-enforce your knowledge by ACTUAL CONSTRUCTION.

Learning Electronics is like building a model with Lego bricks. Each "topic" or "subject" or "area" must be covered fully and perfectly, just like a Lego brick is perfect and fits with interference-fit to the next block. When you complete this eBook, you can safely say you will have mastered the 555 - one more "building block" under your belt and in the process learn about DC motors, Stepper motors, servos, 4017 chips, LEDs and lots of other things. Any one of these can take you off in a completely different direction. So, lets start . . .

Colin Mitchell
TALKING ELECTRONICS.
talking@tpg.com.au

To save space we have not provided lengthy explanations of how any of the circuits work. This has already been covered in TALKING ELECTRONICS Basic Electronics Course, and can be obtained on a [CD for \\$10.00](#) (posted to anywhere in the world) See Talking Electronics website (<http://www.talkingelectronics.com>) for more details on the 555 by clicking on the following four pages: [555-Page 1](#) [555-Page 2](#) [555-Page 3](#) [555-Test](#)

Many of the circuits have been designed by Colin Mitchell: [Music Box](#), [Reaction Timer Game](#), [Traffic Lights](#), [TV Remote Control Jammer](#), [3x3x3 Cube](#), while others are freely available on the web. But this eBook has brought everything together and covers just about every novel 555 circuit. If you think you know everything about the 555, take the [555-Test](#) and you will be surprised!

SI NOTATION

All the schematics in this eBook have components that are labelled using the System International (SI) notation system. The SI system is an easy way to show values without the need for a decimal point. Sometimes the decimal point is difficult to see and the SI system overcomes this problem and offers a clear advantage.

Resistor values are in ohms (R), and the multipliers are: k for kilo, M for Mega.

Capacitance is measured in farads (F) and the sub-multiples are u for micro, n for nano, and p for pico. Inductors are measured in Henrys (H) and the sub-multiples are mH for milliHenry and uH for microHenry.

A 10 ohm resistor would be written as 10R and a 0.001u capacitor as 1n.

The markings on components are written slightly differently to the way they are shown on a circuit diagram (such as 100p on a circuit and 101 on the capacitor) and you will have to look on the internet under **Basic Electronics** to learn about these differences.

NEW! FROM TALKING ELECTRONICS

A new range of 555 chips have been designed by Talking Electronics to carry out tasks that normally need 2 or more chips.

These chips are designated: TE 555-1, TE555-2 and the first project to use the TE 555-1 is [STEPPER MOTOR CONTROLLER TE555-1](#).



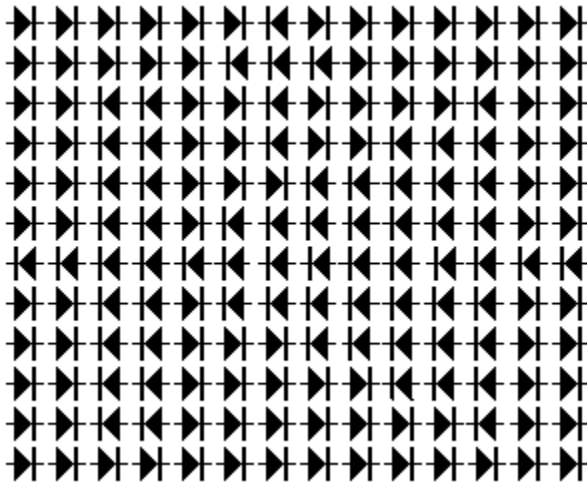
TE 555-1
just
\$2.50

CLICK TO BUY

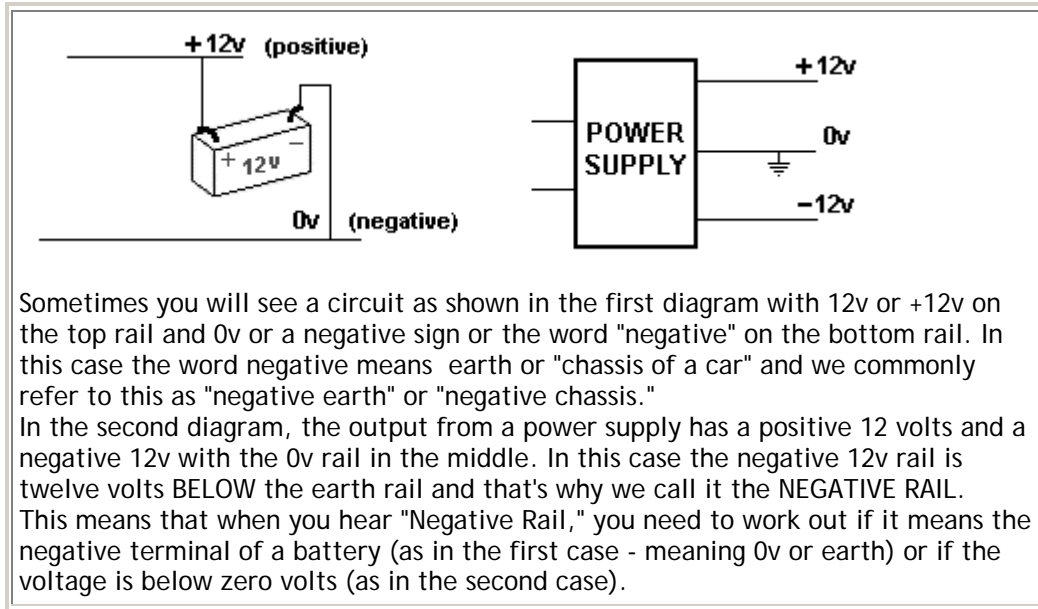


It's a revolutionary concept. Instead of using an old 8-pin TTL 555 chip, you can use a new TE555-1,2,3 8-pin chip and save board space as well as components. These new chips require considerably less external componentry and the possibilities are endless. Depending on the circuit, they can have a number of timing and frequency outputs as well as a "power-down" feature that consumes almost no current when the circuit is not operating. See the first project in this series: [STEPPER MOTOR CONTROLLER TE555-1](#).

How are your powers of observation?
Can you find the LED:



THE POWER SUPPLY



BUY NOW **SQUARE WAVE OSCILLATOR KIT**

A [Square Wave Oscillator](#) Kit is available from Talking Electronics for under \$10.00. See full details of [circuit](#) below.

(This link will send an email to Colin Mitchell and you will be advised of costs and how to send money via Paypal or credit card.)

Or email Colin Mitchell: talking@tpg.com.au

BUY NOW

555 KIT

A kit of components to make many of the circuits described in this eBook is available for \$10.00 plus \$7.00 post.

Or email Colin Mitchell: talking@tpg.com.au

The kit contains the following components: (plus extra 30 resistors and 10 capacitors for experimenting), plus:

- 2 - 220R
- 2 - 1k
- 2 - 4k7
- 2 - 10k
- 2 - 33k
- 2 - 100k
- 2 - 1M
- 1 - 10k mini pot
- 1 - 100k mini pot
- 2 - 10n
- 2 - 100n
- 1 - 10u electrolytic
- 1 - 100u electrolytic
- 2 - 1N4148 signal diodes
- 2 - BC547 transistors
- 1 - BC557 transistor
- 1 - 555 timer chip
- 1 - 8 pin IC socket
- 1 - red LED
- 1 - green LED
- 1 - orange LED
- 1 - mini 8R speaker
- 1 - mini piezo
- 1 - LDR (Light Dependent Resistor)
- 1 - 10mH inductor
- 1 - push button
- 1 - tactile push button
- 1 - **Experimenter Board** (will take 8, 14 and 16 pin chips)

CONTENTS

[Active High Trigger](#)
[Active Low Trigger](#)
[Alarm Sounds \(4\)](#)
[Amplifier using 555](#)
[Animated Display](#)
[Automatic Curtain Closer](#)
[Astable Multivibrator](#)
[Bi-Coloured LED](#)
[Bike Turning Signal](#)
[Bi-Polar LED Driver](#)
[Bi-Stable 555](#)
[Building the Circuits](#)
[Car Tachometer](#)
[Clark Zapper](#)
[Clicks Uneven](#)
[Continuity Tester](#)
[Curtain Closer](#)
[Dark Detector](#)
[Dice](#)
[Dice to 7-Segment Display](#)
[Display - Animated](#)
[Driving A Bi-Coloured LED](#)
[Driving A Relay](#)
[Driving White LEDs](#)
[Duty Cycle 1:1 \(50%\)](#)
[Fading LED](#)
[Fastest 555 Oscillator](#)
[Flashing Indicators](#)
[Flashing Railroad Lights](#)
[Flip Flop](#)
[Four Alarm Sounds](#)
[Function of each 555 pin](#)
[H-Bridge](#)
[H-Bridge with PWM](#)
[Headlight Flasher - faulty circuit](#)
[Hee Haw Siren](#)
[High Frequency 555 Oscillator](#)
[How to use the 555](#)
[Hysteresis](#)
[Increasing Output Current](#)
[Increasing Output Push-Pull Current](#)
[Inverter 12v to 240v](#)
[Inside the 555](#)

[Organ](#)
[Police Lights^{1,2,3}](#)
[Police Siren](#)
[Powering A Project](#)
[Pulse Extender](#)
[Pulser - 74c14](#)
[PWM Controller - FET buffer](#)
[PWM - transistor buffer](#)
see also [Motor PWM](#)
[Railroad Lights \(flashing\)](#)
[Railway Time](#)
[Rain Alarm](#)
[Ramp Generator](#)
[Reaction Timer Game](#)
[Replacing 556 with two 555's](#)
[Resistor Colour Codes](#)
[Roulette](#)
[Schmitt Trigger](#)
[Screamer Siren - Light Controlled](#)
[Servo Controller](#)
[Servo Tester](#)
[Simplest 555 Oscillator](#)
[Sinewave Output](#)
[Siren 100dB](#)
[Solar Tracker - not suitable for 555](#)
[Square Wave Oscillator](#)
[Stepper Motor Controller](#)
[Stun Gun](#)
[Substituting a 555 - Part 1](#)
[Substituting a 555 - Part 2](#)
[Switch Debounce](#)
[Tachometer](#)
[TE555-1 Stepper Motor Controller](#)
[Ticking Bomb](#)
[Tilt Switch](#)
[Touch Switch](#)
[Touch ON-OFF](#)
[Toy Organ](#)
[Traffic Lights](#)
[Traffic Lights - 4 way](#)
[Transistor Tester](#)
[Trigger Timer - 74c14](#)
[Turning Signal](#)

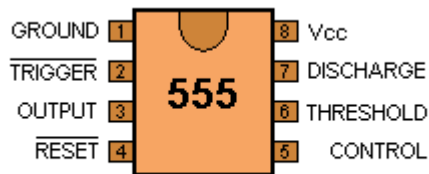
[Kitt Scanner](#)
[Knight Rider](#)
[Laser Ray Sound](#)
[Latch](#)
[Latch - using transistors](#)
[LED Dice](#)
[LED Dimmer](#)
[LED FX](#)
[Light Controlled Screamer Siren](#)
[Light Detector](#)
[Lights - Traffic Lights](#)
[Low Frequency 555 Oscillator](#)
[Machine Gun](#)
[Mark-Space Ratio](#)
[Memory Cell](#)
[Mercury Switch Detector - faulty circuit](#)
[Metal Detector](#)
[Missing Pulse Detector - faulty circuit](#)
[Model Railway Time](#)
[Monostable 555](#)
[Morse Keyer](#)
[Mosquito Repeller](#)
[Motor Controller \(stepper Motor\)](#)
[Motor PWM](#)
[Multivibrator - Astable](#)
[Music Box](#)
[Negative Voltage](#)
[Normally Closed Trigger](#)
[One-Shot 555](#)

[TV Remote Control Jammer](#)
[Useless Machine](#)
[Uneven Clicks](#)
[Up/Down Fading LED](#)
[Using the 555](#)
[VCO](#)
[Voltage Doubler](#)
[Wailing Siren](#)
[Zapper \(Dr Clark\)](#)
[Zener Diode Tester](#)
[2 Minute Timer - 74c14](#)
[3x3x3 Cube](#)
[4 Alarm Sounds](#)
[4 way Traffic Lights](#)
[10 Minute Timer - 74c14](#)
[12v to 240v Inverter](#)
[50% Duty Cycle](#)
[100dB Siren](#)
[555's - a list of substitutes](#)
[555 Amplifier](#)
[555 Kit of Components](#)
[555 Pinout](#)
[555 Mistakes \(No-No's\)](#)
[555 on 24v](#)
[555 VCO](#)
[556 Dual Timer](#)

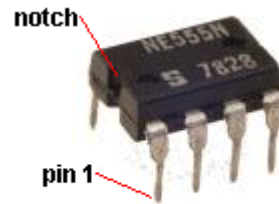
[to Index](#)

THE 555 PINS

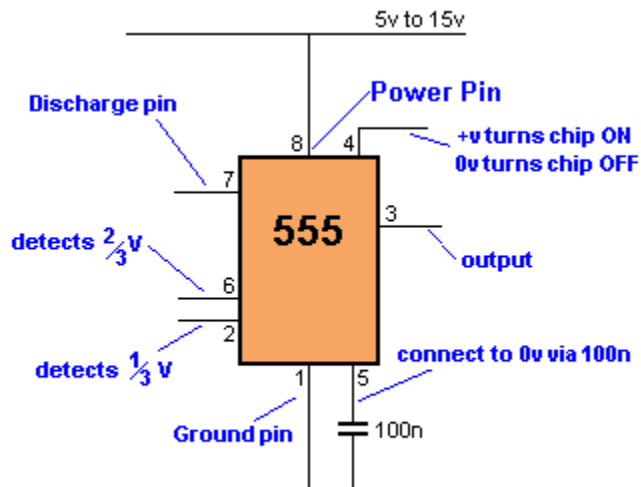
Here is the identification for each pin:



555 PINOUT



When drawing a circuit diagram, always draw the 555 as a building block, as shown below with the pins in the following locations. This will help you instantly recognise the function of each pin:



The Function of each PIN

Pin 1 GROUND. Connects to the 0v rail.

Pin 2 TRIGGER. Detects 1/3 of rail voltage to make output HIGH. Pin 2 has control over pin 6. If pin 2 is LOW, and pin 6 LOW, output goes and stays HIGH. If pin 6 HIGH, and pin 2 goes LOW, output goes LOW while pin 2 LOW. This pin has a very high impedance (about 10M) and will trigger with about 1uA.

Pin 3 OUTPUT. (Pins 3 and 7 are "in phase.") Goes HIGH (about 2v less than rail) and LOW (about 0.5v less than 0v) and will deliver up to 200mA.

Pin 4 RESET. Internally connected HIGH via 100k. Must be taken below 0.8v to reset the chip.

Pin 5 CONTROL. A voltage applied to this pin will vary the timing of the RC network (quite considerably).

Pin 6 THRESHOLD. Detects 2/3 of rail voltage to make output LOW only if pin 2 is HIGH. This pin has a very high impedance (about 10M) and will trigger with about 0.2uA.

Pin 7 DISCHARGE. Goes LOW when pin 6 detects 2/3 rail voltage but pin 2 must be HIGH. If pin 2 is HIGH, pin 6 can be HIGH or LOW and pin 7 remains LOW. Goes OPEN (HIGH) and stays HIGH when pin 2 detects 1/3 rail voltage (even as a LOW pulse) when pin 6 is LOW. (Pins 7 and 3 are "in phase.") Pin 7 is equal to pin 3 but pin 7 does not go high - it goes OPEN. But it goes LOW and will sink about 200mA

Pin 8 SUPPLY. Connects to the positive rail.

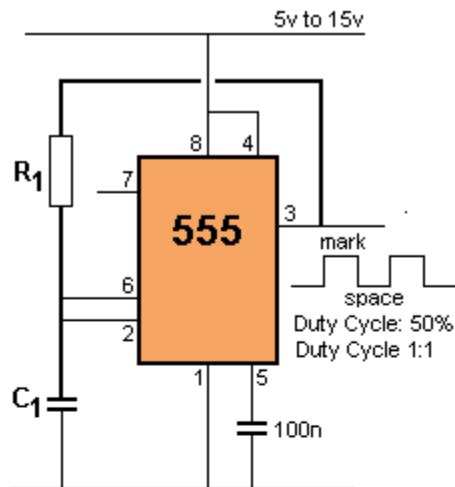
[to Index](#)

THE SIMPLEST 555 OSCILLATOR

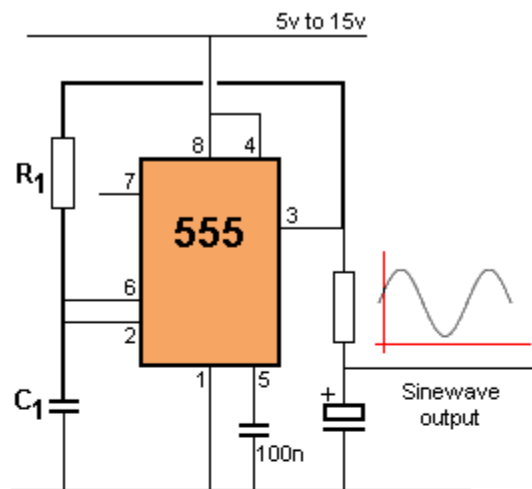
The simplest 555 oscillator takes output pin 3 to capacitor C1 via resistor R1. When the circuit is turned on, C1 is uncharged and output pin 3 is HIGH. C1 charges via R1 and when Pin 6 detects 2/3 rail voltage, output pin 3 goes LOW. R1 now discharges capacitor C1 and when pin 2 detects 1/3 rail voltage, output pin 3 goes HIGH to repeat the cycle.

The amount of time when the output is HIGH is called the MARK and the time when the output is LOW is called the SPACE.

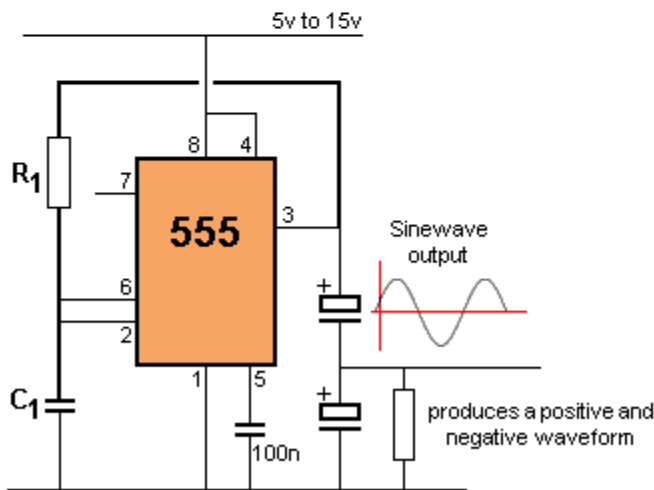
In the diagram the mark is the same length as the space and this is called 1:1 or 50%:50%. If a resistor and capacitor (or electrolytic) is placed on the output, the result is very similar to a sinewave.



**SIMPLEST 555
OSCILLATOR**



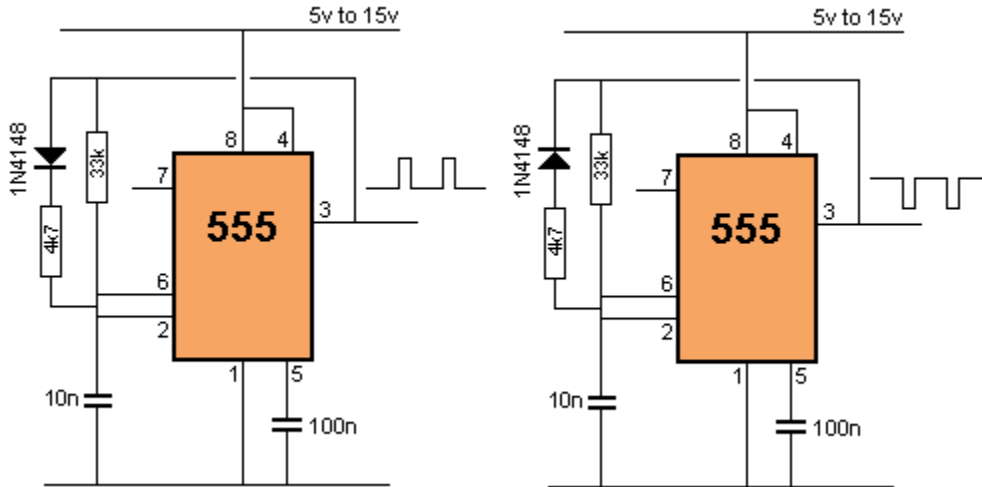
SINEWAVE OUTPUT



SINEWAVE OUTPUT

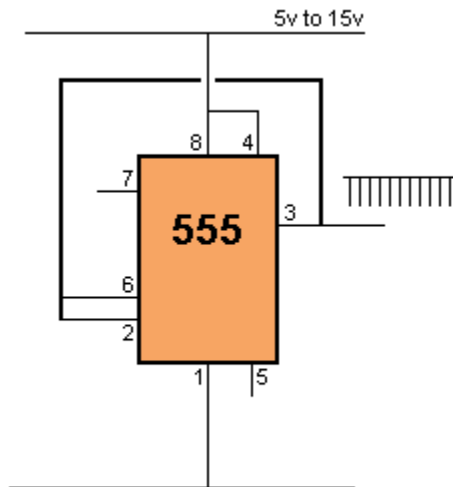
CHANGING THE MARK-SPACE RATIO

This ratio can be altered by adding a diode and resistor as shown in the following diagrams. In the first diagram, the 555 comes ON with pin 3 low and pin 3 immediately detects this low and makes pin 3 HIGH. The 10n is quickly charged via the diode and 4k7 and this is why the MARK is "short." When the capacitor is $2/3V_{cc}$, pin 6 detects a HIGH and the output of the 555 goes LOW. The 10n is discharged via the 33k and this creates the long-duration SPACE (LOW). The second diagram creates a long-duration HIGH:



THE FASTEST 555 OSCILLATOR

The highest frequency can be obtained by connecting the output to pins 2 and 6. This arrangement takes about 5mA and produces an output as shown:

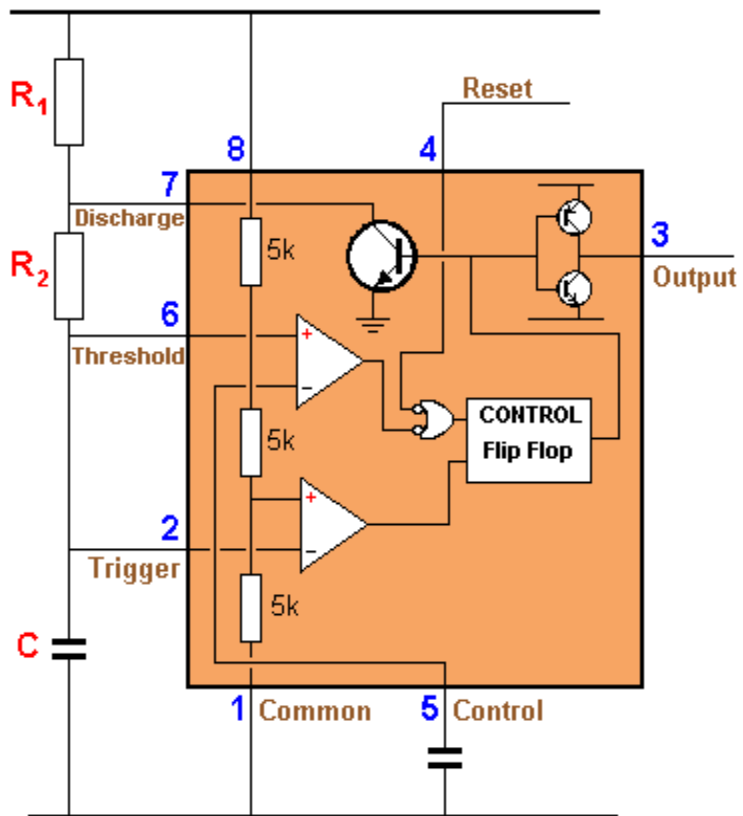


FASTEST 555 OSCILLATOR

View the output on a CRO. Our 555 "Test Chip" produced a frequency of 300kHz at 5v and 12v. (CMOS versions will operate at a higher frequency.) Note the very short LOW TIME.

[to Index](#)

INSIDE THE 555



INSIDE THE 555 CHIP

Note: Pin 7 is "in phase" with output Pin 3 (both are low at the same time).

Pin 7 "shorts" to 0v via a transistor. It is pulled HIGH via R1.

Maximum supply voltage 16v - 18v

Current consumption approx 10mA

Output Current sink @5v = 5 - 50mA @15v = 50mA

Output Current source @5v = 100mA @15v = 200mA

Maximum operating frequency 300kHz - 500kHz

Faults with Chip:

Consumes about 10mA when sitting in circuit

Output voltage can be up to 2.5v **less than rail voltage**

Output can be **0.5v to 1.5v above ground**

Sources up to 200mA but sinks only 50mA

A NE555 was tested at 1kHz, 12.75v rail and 39R load.

The Results:

Output voltage 0.5v low, 11.5v high at output current of 180mA

The "test chip" performance was excellent.

[to Index](#)

HOW TO USE THE 555

There are many ways to use the 555. They can be used in hundreds of different circuits to do all sorts of clever things. They can also be used as three different types of oscillators.

(a) Astable Multivibrator - constantly oscillates

For frequencies above 1 cycle per second, it is called an oscillator (multivibrator or square wave oscillator).

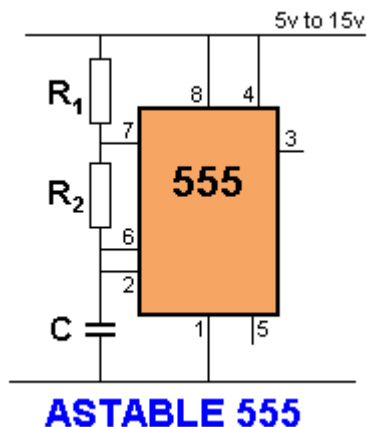
For frequencies below 1 cycle per second it is called a TIMER or DELAY.

(b) Monostable - changes state only once per trigger pulse - also called a ONE SHOT

(c) Voltage Controlled Oscillator - called a VCO.

[to Index](#)

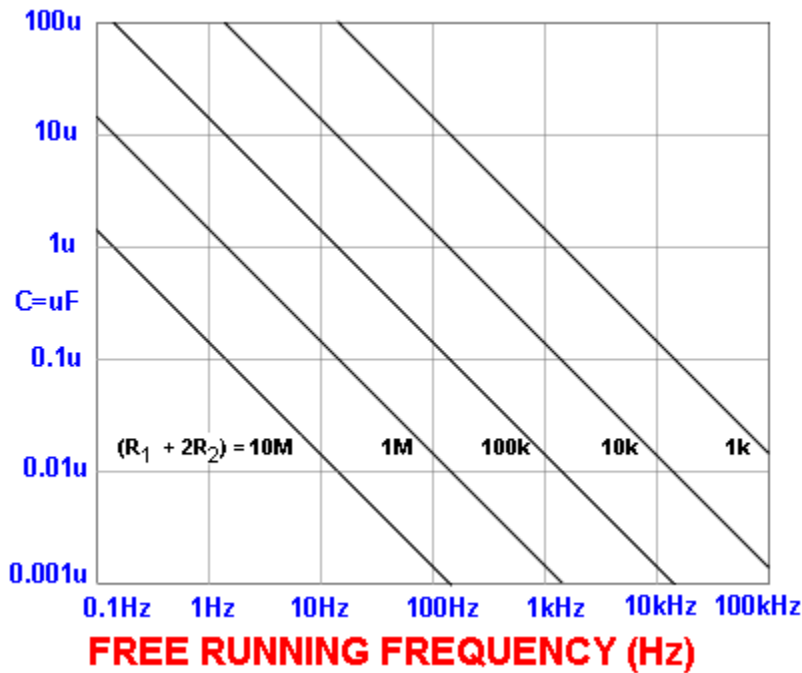
THE ASTABLE (or FREE RUNNING) MULTIVIBRATOR



The capacitor C charges via R1 and R2 and when the voltage on the capacitor reaches $\frac{2}{3}$ of the supply, pin 6 detects this and pin 7 connects to 0v. The capacitor discharges through R2 until its voltage is $\frac{1}{3}$ of the supply and pin 2 detects this and turns off pin 7 to repeat the cycle.

The top resistor is included to prevent pin 7 being damaged as it shorts to 0v when pin 6 detects $\frac{2}{3}$ rail voltage. Its resistance is small compared to R2 and does not come into the timing of the oscillator.

The following graph applies to the Astable circuit:



Using the graph:

Suppose $R_1 = 1k$, $R_2 = 10k$ and $C = 0.1u$ (100n).

Using the formula on the graph, the total resistance = $1 + 10 + 10 = 21k$

The scales on the graph are logarithmic so that 21k is approximately near the "1" on the 10k. Draw a line parallel to the lines on the graph and where it crosses the 0.1u line, is the answer. The result is approx 900Hz.

Suppose $R_1 = 10k$, $R_2 = 100k$ and $C = 1u$

Using the formula on the graph, the total resistance = $10 + 100 + 100 = 210k$

The scales on the graph are logarithmic so that 210k is approximately near the first "0" on the 100k. Draw a line parallel to the lines on the graph and where it crosses the 1u line, is the answer. The result is approx 9Hz.

The frequency of an astable circuit can also be worked out from the following formula:

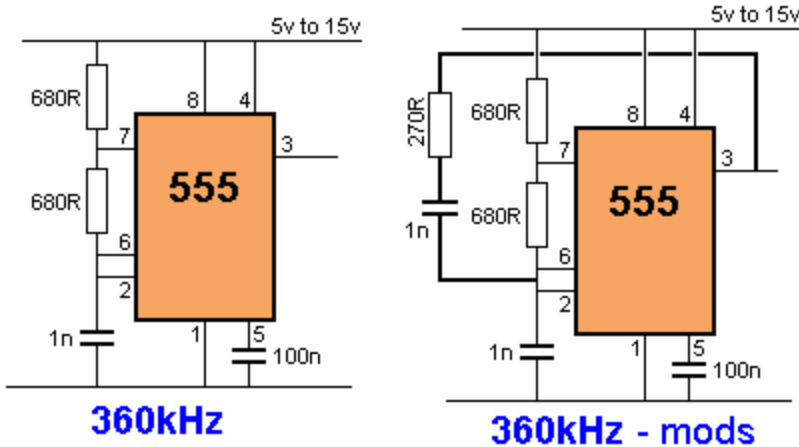
$$\text{frequency} = \frac{1.4}{(R_1 + 2R_2) \times C}$$

555 astable frequencies

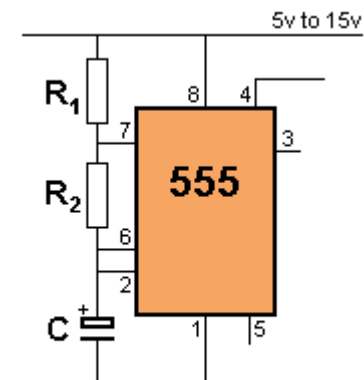
| C | $R_1 = 1k$ $R_2 = 6k8$ | $R_1 = 10k$ $R_2 = 68k$ | $R_1 = 100k$ $R_2 = 680k$ |
|-------------|---------------------------|----------------------------|------------------------------|
| 0.001 μ | 100kHz | 10kHz | 1kHz |
| 0.01 μ | 10kHz | 1kHz | 100Hz |
| 0.1 μ | 1kHz | 100Hz | 10Hz |
| 1 μ | 100Hz | 10Hz | 1Hz |
| 10 μ | 10Hz | 1Hz | 0.1Hz |

HIGH FREQUENCY OSCILLATORS

360kHz is the absolute maximum as the 555 starts to malfunction with irregular bursts of pulses above this frequency. To improve the performance of the oscillator, a 270R and 1n can be added as shown in the second circuit:



LOW FREQUENCY OSCILLATORS - called TIMERS



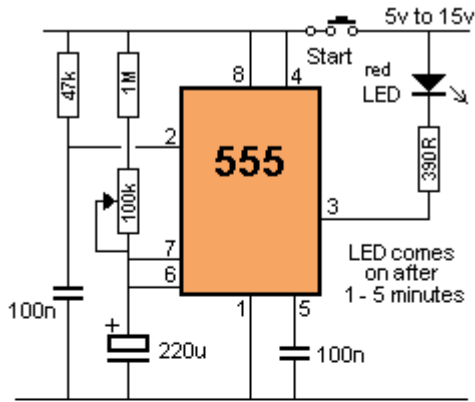
If the capacitor is replaced with an electrolytic, the frequency of oscillation will reduce. When the frequency is less than 1Hz, the oscillator circuit is called a timer or "delay circuit." The 555 will produce delays as long as 30 minutes but with long delays, the timing is not accurate.

LOW FREQUENCY 555

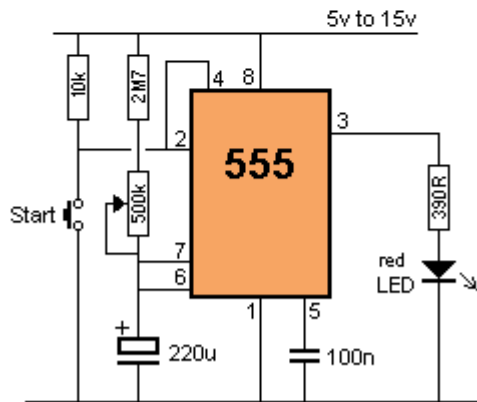
555 Delay Times:

| C | R ₁ = 100k | R ₁ = 470k | R ₁ = 1M |
|------|-----------------------|-----------------------|---------------------|
| | R ₂ = 100k | R ₂ = 470k | R ₂ = 1M |
| 10μ | 2.2sec | 10sec | 22sec |
| 100μ | 22sec | 100sec | 220sec |
| 470μ | 100sec | 500sec | 1000sec |

The following circuits show a 1-5 minute timer and 10 minute timer:



1 - 5 min TIMER



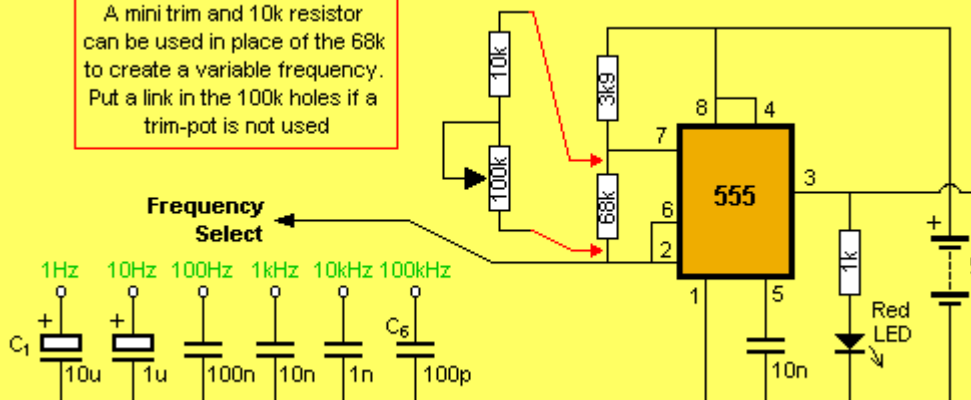
10 MINUTE TIMER

[to Index](#)

BUY NOW

SQUARE WAVE OSCILLATOR KIT:

A mini trim and 10k resistor can be used in place of the 68k to create a variable frequency. Put a link in the 100k holes if a trim-pot is not used



A square wave oscillator kit can be purchased from Talking Electronics for approx \$10.00

See website: **Square Wave Oscillator**

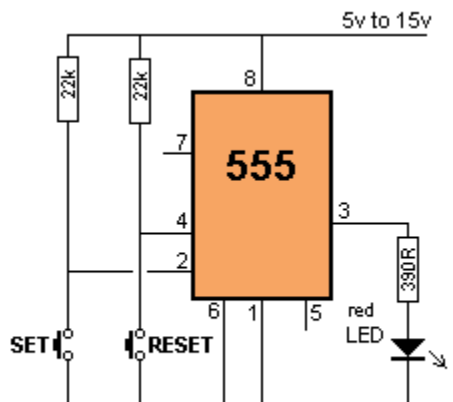
It has adjustable (and settable) frequencies from 1Hz to 100kHz and is an ideal piece of Test Equipment.

(This link will send an email to Colin Mitchell and you will be advised of costs and how to send money via Paypal or credit card.)

[to Index](#)

Bi-stable or "Latch" or "2-state" 555

The bi-stable 555 has two steady states. SET turns ON the LED and RESET turns the LED off. The 555 comes on in reset mode as Pin2 does not see a LOW to SET the 555.



BI-STABLE 555

[to Index](#)

Monostable or "One Shot" or Pulse Extender

When the circuit is turned on, the output is LOW and a brief negative pulse on pin 2 will make the output go HIGH for a period of time determined by the value of R and C. If pin 2 is low for longer than this period, the output will remain HIGH while pin 2 is LOW and immediately go LOW when pin 2 goes HIGH.

CIRCUIT OPERATION

When the circuit is turned on, the capacitor is uncharged. Pin 6 sees a LOW and pin 2 sees a HIGH.

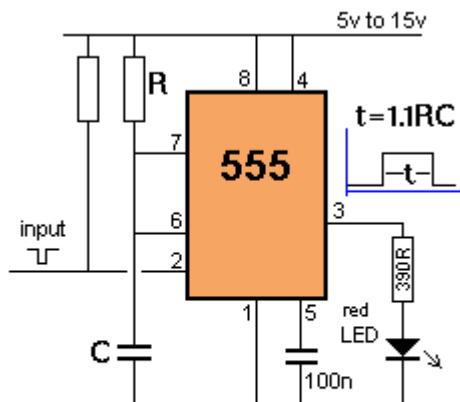
Remember: Pin 2 must be LOW to make the output HIGH.

Pin 6 must be HIGH to make the output LOW.

Neither pin is "controlling the chip" at start-up and the chip is designed to output a LOW with these start-up conditions.

In other words, the chip starts in RESET mode. Pin 7 is LOW and the capacitor does not charge.

When pin 2 see a LOW pulse, the chip goes to SET mode and the output goes HIGH. Pin 7 goes OPEN and capacitor C charges via R. When pin 6 sees $2/3$ rail voltage, the chip goes to RESET mode with pin 3 and 7 LOW. The capacitor instantly discharges via pin 7 and the circuit waits for a negative pulse on pin 2.

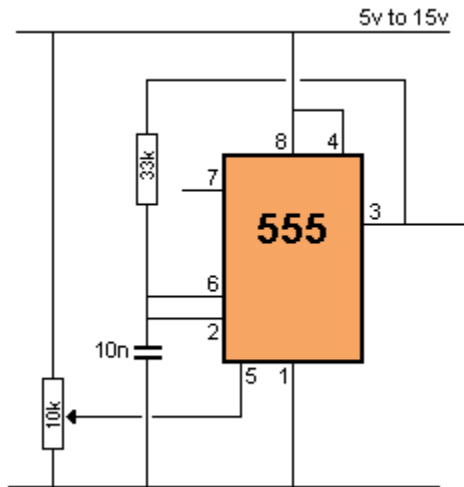


**MONOSTABLE
OR
"ONE-SHOT"**

[to Index](#)

THE 555 AS A VOLTAGE CONTROLLED OSCILLATOR (VCO)

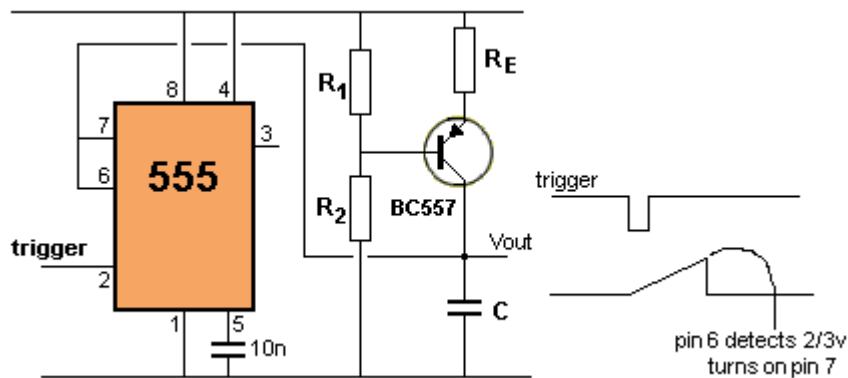
By adjusting the voltage on pin 5, (the CONTROL pin) the frequency of the oscillator can be adjusted quite considerably. See [Police Siren](#) for an application.



[to Index](#)

THE 555 AS RAMP GENERATOR

When a capacitor is charged via a constant current, the waveform across it is a ramp.

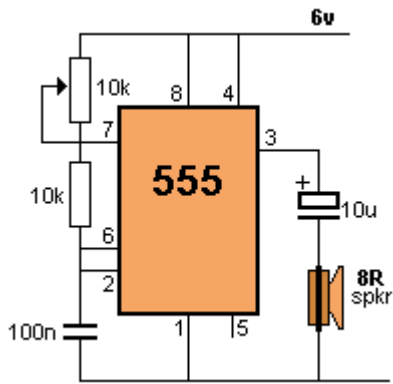


[to Index](#)

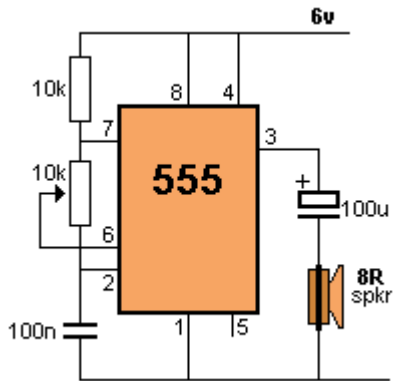
"No-No's"

Here are some mistakes to avoid:

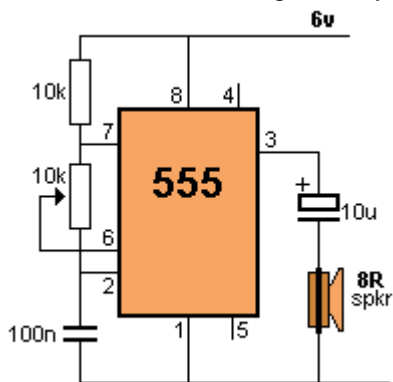
1. Pin 7 gets connected to the 0v rail via a transistor inside the chip during part of the operation of the 555. If the pot is turned to very low resistance in the following circuit, a high current will flow through the pot and it will be damaged:



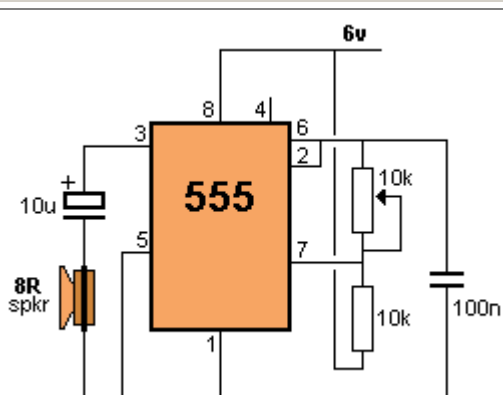
2. The impedance of the 100u electrolytic will allow a very high current to flow and the chip will get very hot. Use 10u maximum when using 8R speaker.



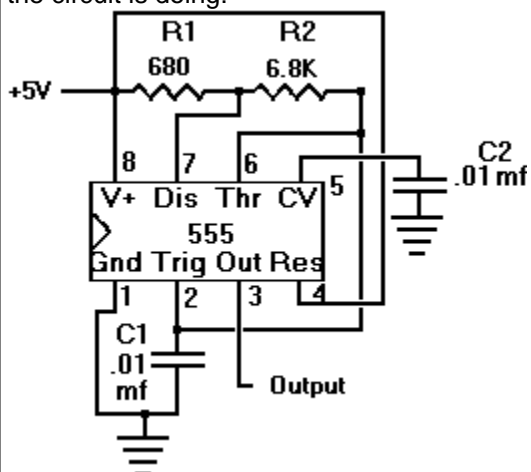
3. The reset pin (pin 4) is internally tied HIGH via approx 100k but it should not be left floating as stray pulses may reset the chip.



4. Do not draw 555 circuits as shown in the following diagram. Keep to a standard layout so the circuit is easy to follow.

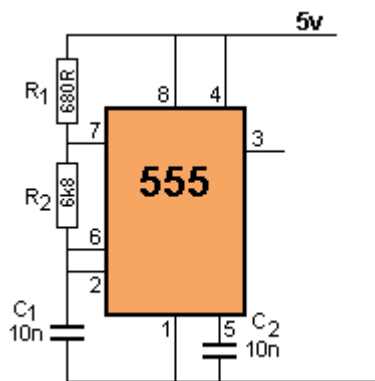


5. Here's an example from the web. It takes a lot of time to work out what the circuit is doing:



The aim is to lay-out a circuit so that it shows instantly what is happening. That's why everything must be in recognised locations.

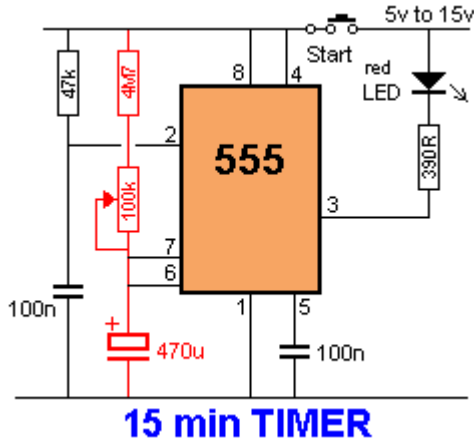
Here is the corrected circuit: From this diagram it is obvious the circuit is an oscillator (and not a one-shot etc).



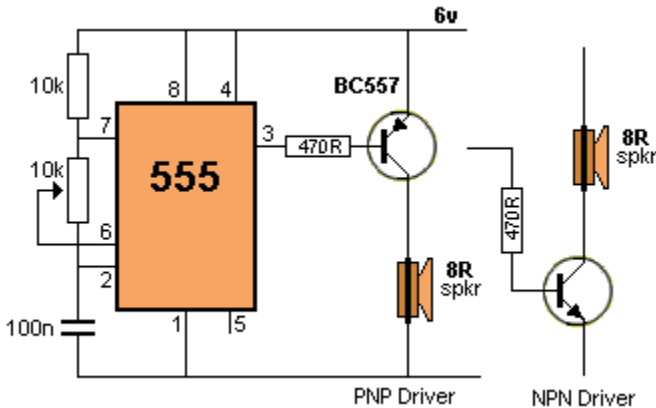
6. Don't use high value electrolytics and high resistances to produce long delays. The 555 is very unreliable with timing values above 5-10 minutes. The reason is simple. The charging current for the electrolytic is between 1 - 3 microamp in the following diagram (when the electro is beginning to charge) and drops to less than 1 microamp when the electro is nearly

charged.

If the leakage of the electro is 1 microamp, it will never fully charge and allow the 555 to "time-out."



7. Do not connect a PNP to the output of a 555 as shown in the following diagram. Pin 3 does not rise high enough to turn off the transistor and the current taken by the circuit will be excessive. Use an NPN driver.



[to Index](#)

555's

Here is a list of 555's from different manufacturers plus the range of low voltage, low current 555's. The normal 555 is called a TTL or Transistor-Transistor-Logic chip and it consumes about 10mA when "sitting and doing nothing." It will work from 4v to 18v.

A low current version is available from the list below, (called a CMOS version) and consumes about 10uA to 100uA. Some of these chips work from 1.5v to 15v (ZSCT1555 = 9v max) but they can sink and source only about 100mA (less than 30mA at 2v).

The 555 is the cheapest and the others cost about double.

The normal 555 oscillates up to 300kHz. A CMOS version can oscillate to 3MHz.

You need to know the limitations as well as the advantages of these chips before substituting them for the normal 555:

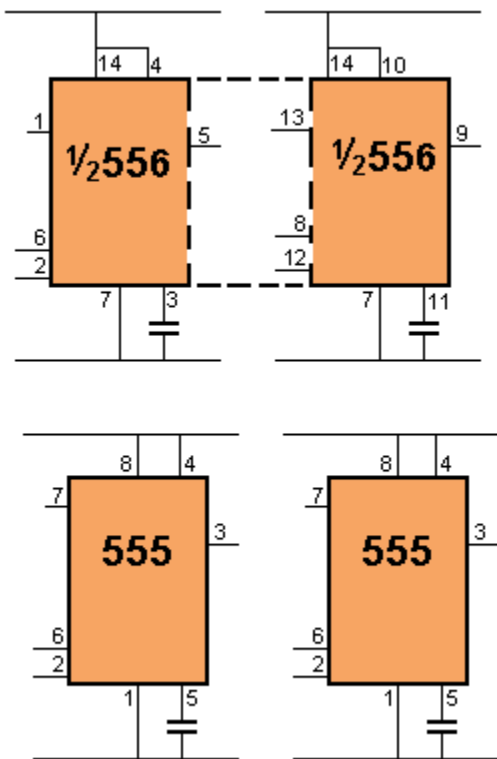
| Manufacturer | Model | Remark |
|--------------------------|----------------|-----------------------------------|
| Custom Silicon Solutions | CSS555/CSS555C | CMOS from 1.2V, $I_{DD} < 5\mu A$ |

| | | |
|-------------------------|-------------------------|--|
| ECG Philips | ECG955M | |
| Exar | XR-555 | |
| Fairchild Semiconductor | NE555/KA555 | |
| Harris | HA555 | |
| IK Semicon | ILC555 | CMOS from 2V |
| Intersil | SE555/NE555/ICM7555 | |
| Lithic Systems | LC555 | |
| Maxim | ICM7555 | CMOS from 2V |
| Motorola | MC1455/MC1555 | |
| National Semiconductor | LM1455/LM555/LM555C | |
| National Semiconductor | LMC555 | CMOS from 1.5V |
| NTE Sylvania | NTE955M | |
| Raytheon | RM555/RC555 | |
| RCA | CA555/CA555C | |
| STMicroelectronics | NE555N/ K3T647 | |
| Talking Electronics | TE555-1, -2, -3, -4 | email Talking Electronics \$2.50 ea |
| Texas Instruments | SN52555/SN72555; TLC555 | CMOS from 2V |
| Zetex | ZSCT1555 | down to 0.9V (9v max) |

[to Index](#)

REPLACING A 556 WITH TWO 555's

Here is a handy reference to replace a 556 dual timer with two 555's:



The table shows the pin numbering for each timer:

| | 555 | 556 - Timer 1 | 556 - Timer 2 |
|------------|-----|---------------|---------------|
| Ground (-) | 1 | 7 | 7 |
| Trigger | 2 | 6 | 8 |
| Output | 3 | 5 | 9 |
| Reset | 4 | 4 | 10 |
| Control | 5 | 3 | 11 |
| Threshold | 6 | 2 | 12 |
| Discharge | 7 | 1 | 13 |
| Vcc (+) | 8 | 14 | 14 |

[to Index](#)

SUBSTITUTING A 555 - part 1

Although a 555 is a wonderful chip, it may not be the best choice for some applications.

You may require an oscillator frequency higher than 1MHz, or a very low quiescent current. You may also need 4 or more 555's to get the timing and delays you require. Here are some circuits to help you substitute a 555.

The 74c14 IC contains 6 Schmitt Trigger gates and each gate can be used to replace a 555 in SOME circuits. The voltage for a 74c14 is 3v to 15v. Maximum output current per gate is 15mA. Max frequency of operation: 2MHz - 5MHz. Quiescent current is 1uA if all inputs are 0v or rail voltage.

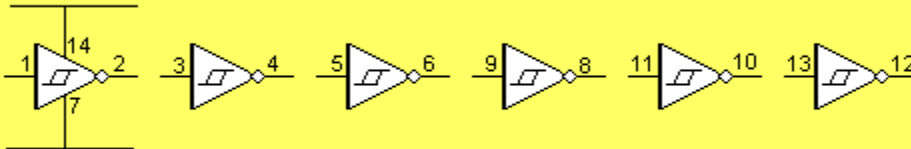
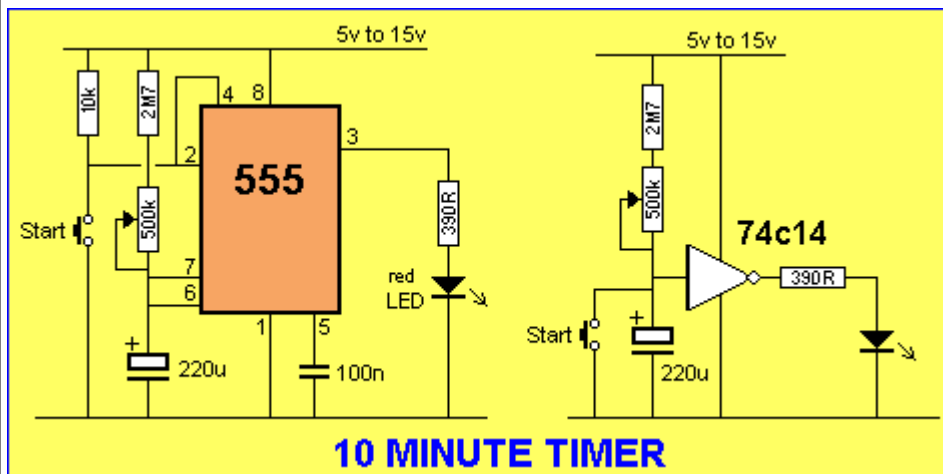
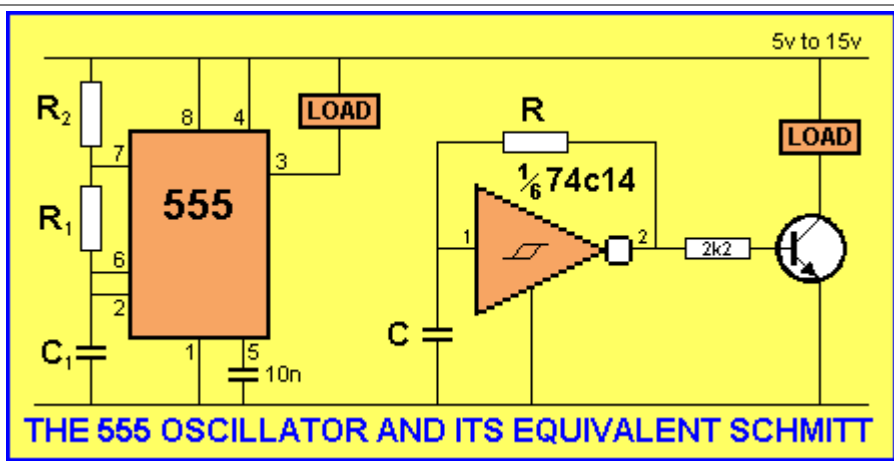


Fig: 8 The six Schmitt Trigger Gates for a 74c14 IC





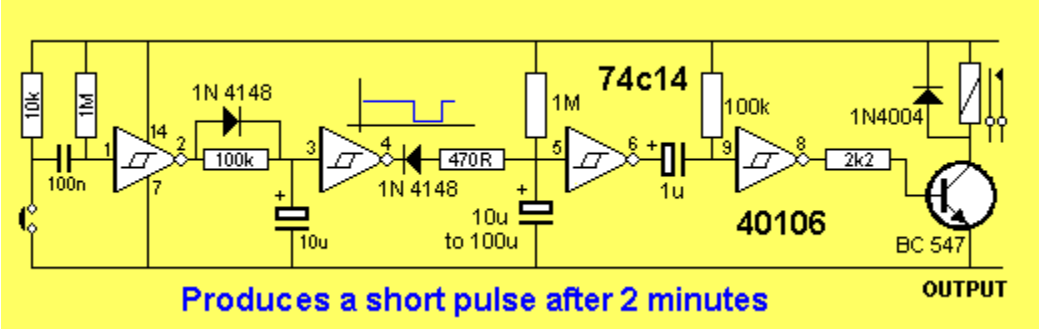
[to Index](#)

SUBSTITUTING A 555 - part 2

If you need a special function or special effect, it may take 2, 3 or more 555's to do the job. The 74c14 has 6 gates and can create 6 "building blocks." Here are some circuits to show its versatility:

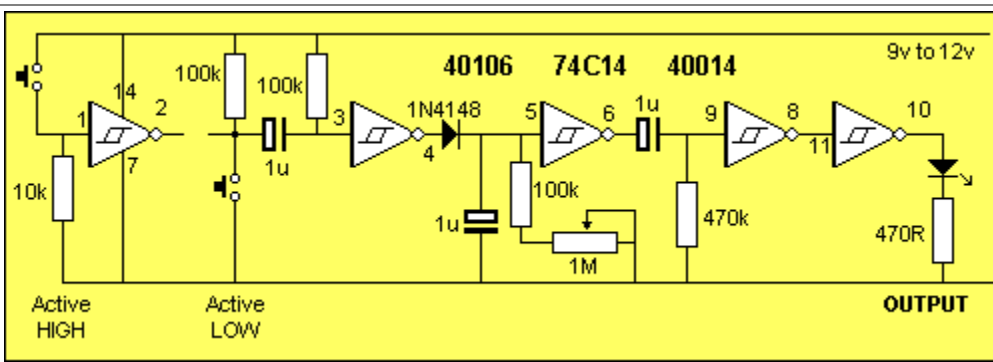
2 MINUTE TIMER

The relay is energized for a short time, 2 minutes after the push-button is pressed. The push-button produces a brief LOW on pin 1, no matter how long it is pushed and this produces a pulse of constant length via the three components between pin 2 and 3. This pulse is long enough to fully discharge the 100u timing electrolytic on pin 5. The 100k and electrolytic between pins 6 and 9 are designed to produce a brief pulse to energize the relay.



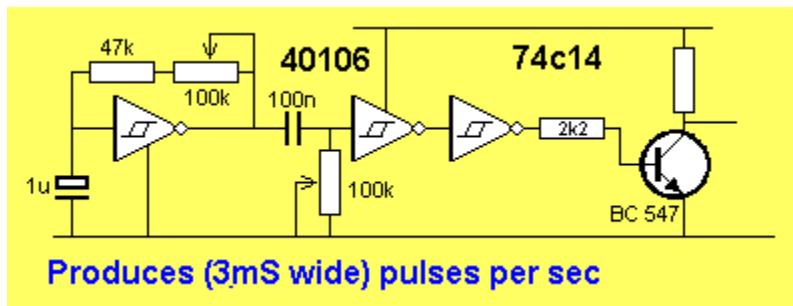
OUTPUT AFTER 2 MINUTES

Here is another very similar circuit. Use either the active HIGH or Active LOW switch and if the Active LOW switch is used, do not connect the parts or gate between pins 1 and 2 to the rest of the circuit.



PULSER

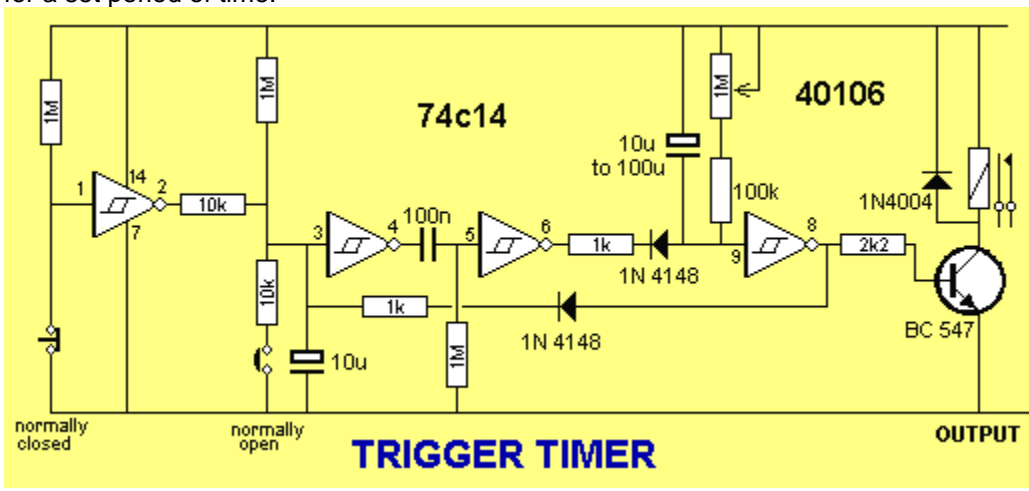
The 74c14 can be used for lots of different circuits. In the following design, the output produces 3mS pulses every second. The circuit is adjustable to a wide range of requirements.



TRIGGER TIMER

The next design interfaces a "Normally Open" and "Normally Closed" switch to a delay circuit.

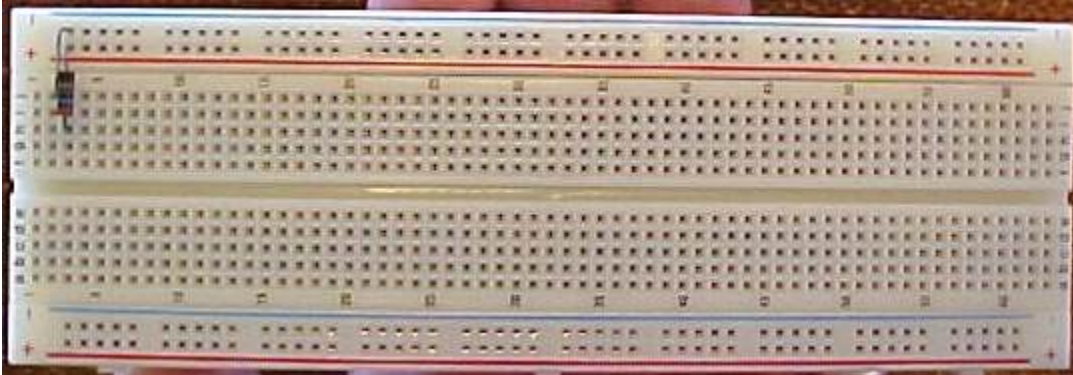
The feedback diode from the output prevents the inputs re-triggering the timer (during the delay period) so that a device such as a motor, globe or voice chip can be activated for a set period of time.



[to Index](#)

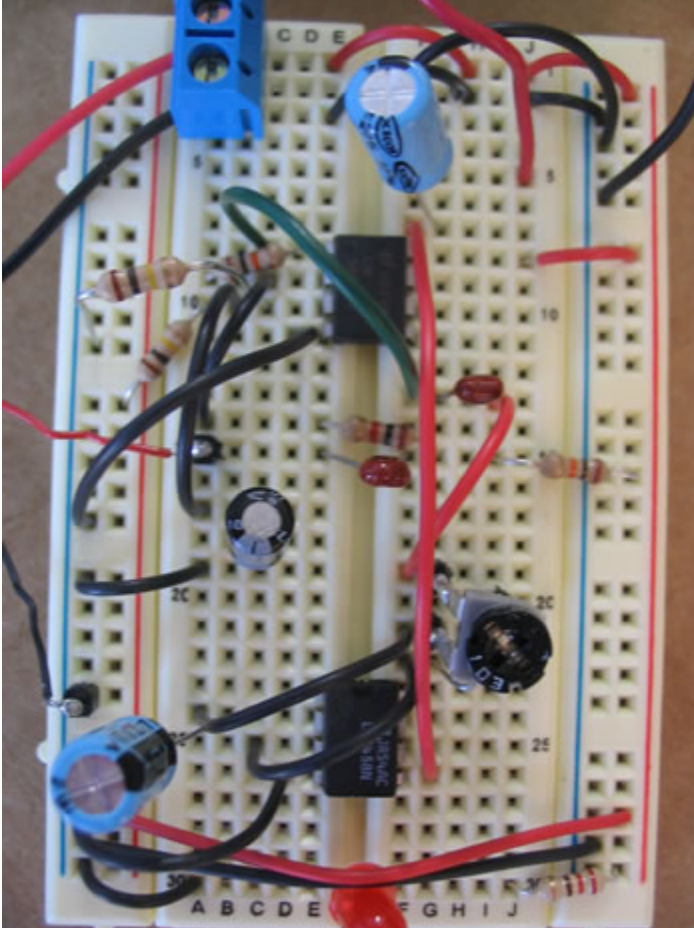
BUILDING THE CIRCUITS

The fastest way to put a circuit together is on BREADBOARD. The cheapest and best bread-board has power-rails and sets of "tie-points" or "holes" as shown in this photo:



Connect the components with hook-up wire (called jumpers) by stripping the ends to expose the wire at both ends. Or you can use 0.5mm tinned copper wire (make sure the jumpers do not touch each other).

Do not cut the leads of the components as you may want long leads on another project.



Neatness is not important. The important thing is to build as many circuits as possible as each one will help you understand how the 555 works and how the external circuitry modifies the signal to produce the resulting effect. There is a point-to-learn in every circuit.

[to Index](#)

POWERING A PROJECT

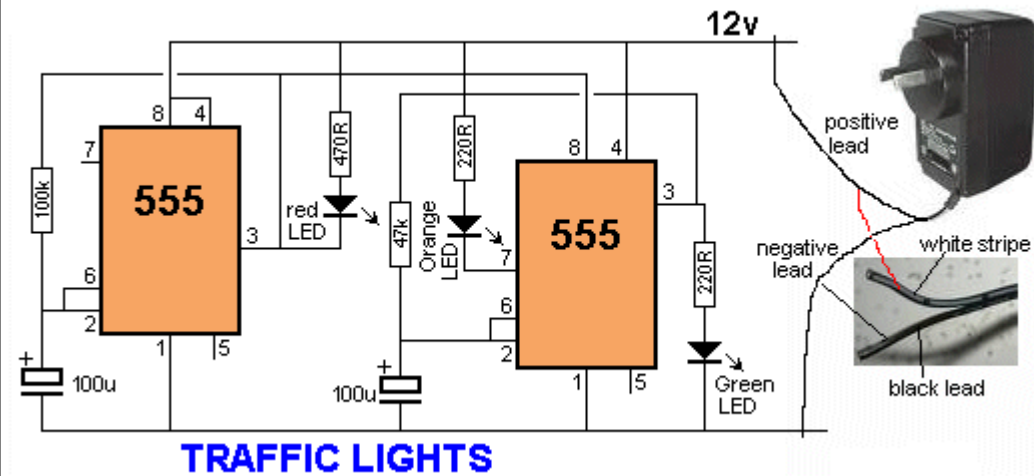
The safest way to power a project is with a battery. Use 4 x AA cells in a holder or a 9v battery if you only want to use the project for a short period of time.

If you want to use a 555 project for a long period of time you will need a "power supply." The safest power supply is a Plug Pack (wall wart, wall wart, wall cube, power brick, plug-in adapter, adapter block, domestic mains adapter, power adapter, or AC adapter). The adapter shown in the diagram has a switchable output voltage: 3v, 6v, 7.5v, 9v, 12v) DC and is rated at 500mA. The black lead is negative and the other lead with a white stripe (or a grey lead with a black stripe) is the positive lead.

This is the safest way to power a project as the insulation from the mains is provided inside the adapter and there is no possibility of getting a shock.

The rating "500mA" is the maximum the Plug Pack will deliver and if your circuit takes just 50mA, this is the current that will be supplied. Some plug packs are rated at 300mA or 1A and some have a fixed output voltage. All these plug packs will be suitable.

Some Plug Packs are marked "12vAC." This type of plug pack is not suitable for these circuits as it does not have a set of diodes and electrolytic to convert the AC to DC. All the circuits in this eBook require DC.

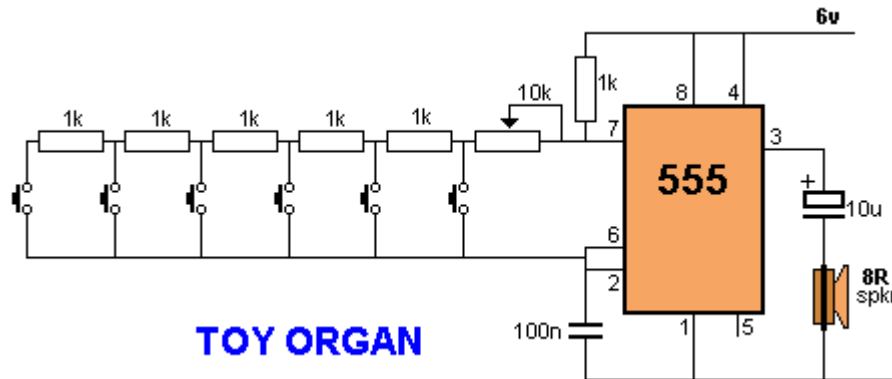


PROJECTS

[to Index](#)

TOY ORGAN

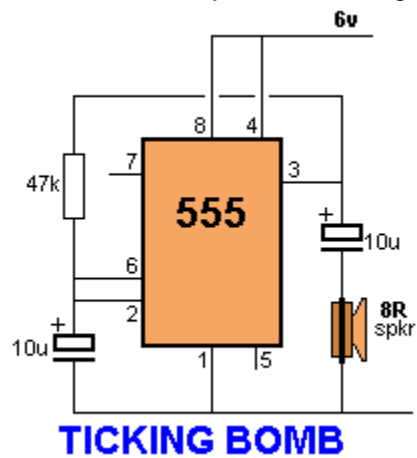
This circuit produces a tone according to the button being pressed. Only 1 button can be pressed at a time, that's why it is called a monophonic organ. You can change the 1k resistors to produce a more-accurate scale.



[to Index](#)

TICKING BOMB

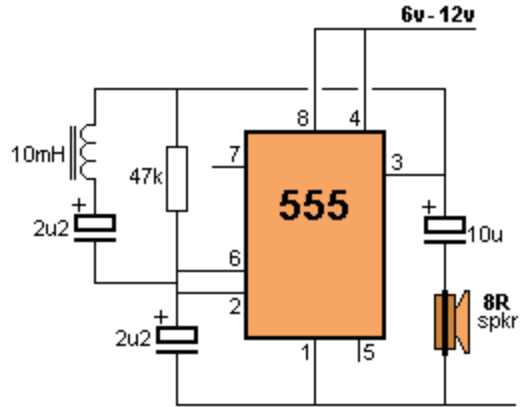
This circuit sound just like a ticking bomb.



[to Index](#)

METAL DETECTOR

This circuit detects metal and also magnets. When a magnet is brought close to the 10mH choke, the output frequency changes.

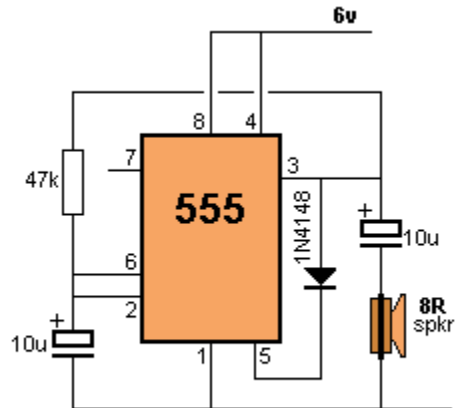


METAL DETECTOR

[to Index](#)

UNEVEN CLICKS

This circuit produces two clicks then a short space before two more clicks etc. Changing the voltage on pin, 5 via the diode, adjusts the timing of the chip.

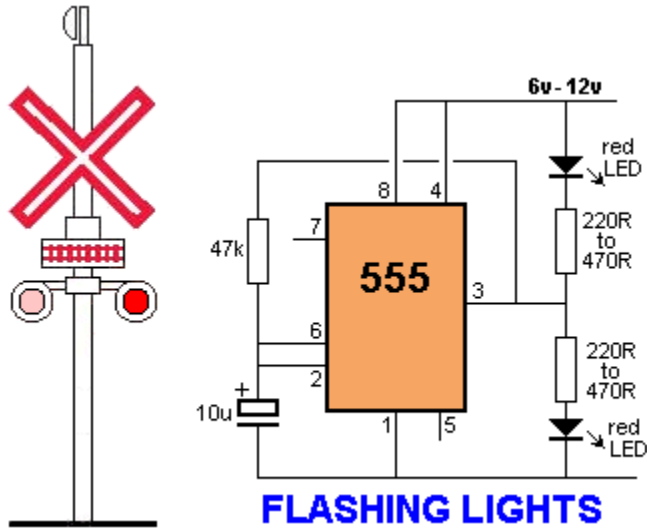


UNEVEN CLICKS

[to Index](#)

FLASHING RAILROAD LIGHTS

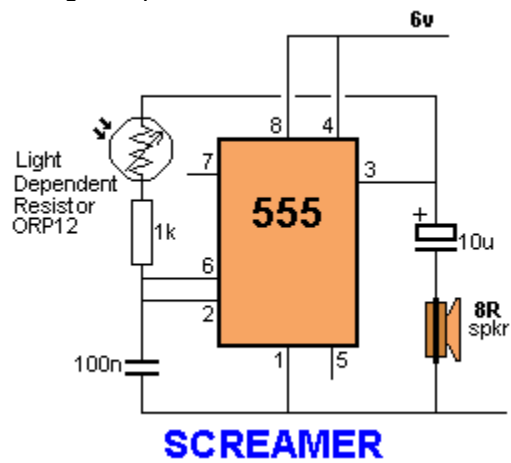
This circuit flashes two red LEDs for a model railway crossing.



[to Index](#)

SCREAMER

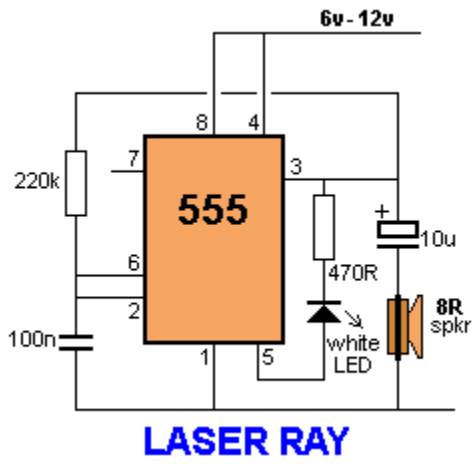
This circuit will produce an ear-piercing scream, depending on the amount of light being detected by the Light Dependent Resistor.



[to Index](#)

LASER RAY

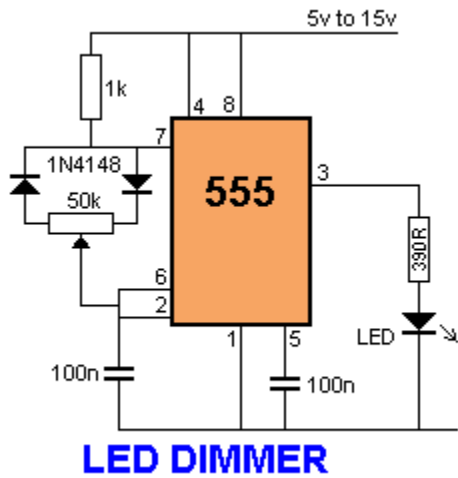
This circuit produces a weird "Laser Ray" sound and flashes a white LED at approx 5Hz:



[to Index](#)

LED DIMMER

This circuit will adjust the brightness of one or more LEDs from 5% to 95%.



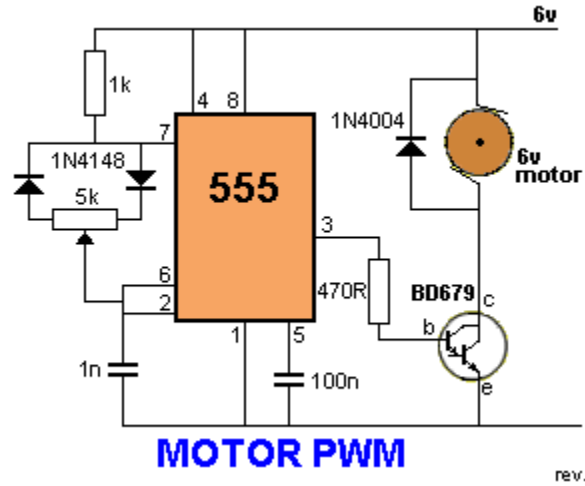
rev.A

[to Index](#)

MOTOR PWM

See also: [PWM Controller](#)

The speed of a motor can be adjusted by this circuit, from 5% to 95%.

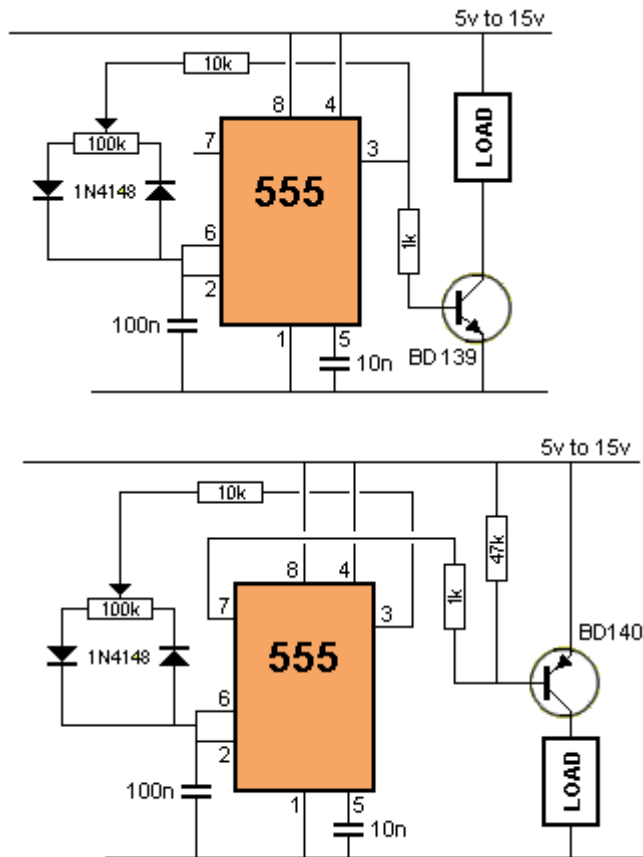


[to Index](#)

PWM

See also: [PWM Controller](#)

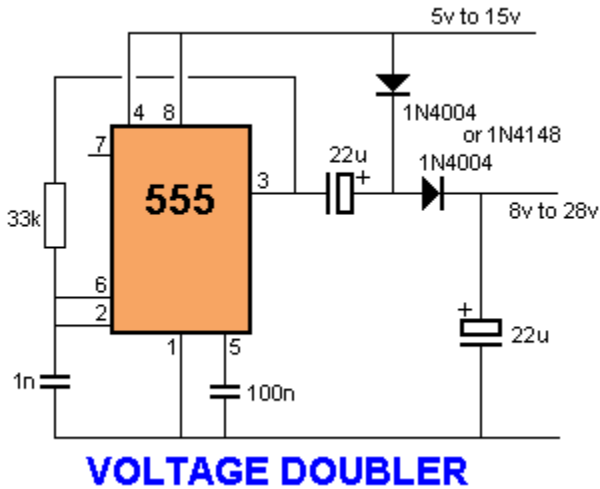
The output of these circuits can be adjusted from 5% to 95%.



[to Index](#)

VOLTAGE DOUBLER

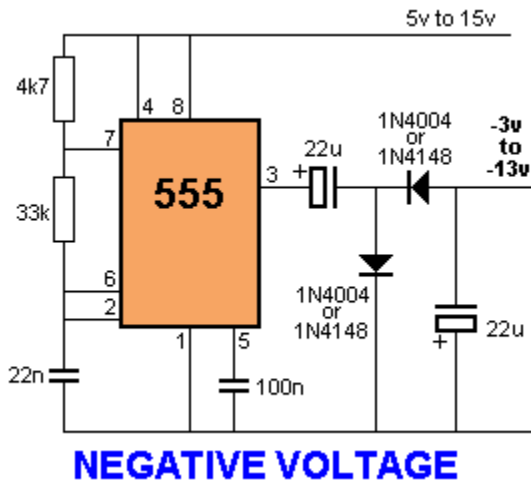
A voltage higher than the supply can be created by a "Charge-Pump" circuit created with a 555, diodes and capacitors as shown in the following circuit. The output will deliver about 50mA



[to Index](#)

NEGATIVE VOLTAGE

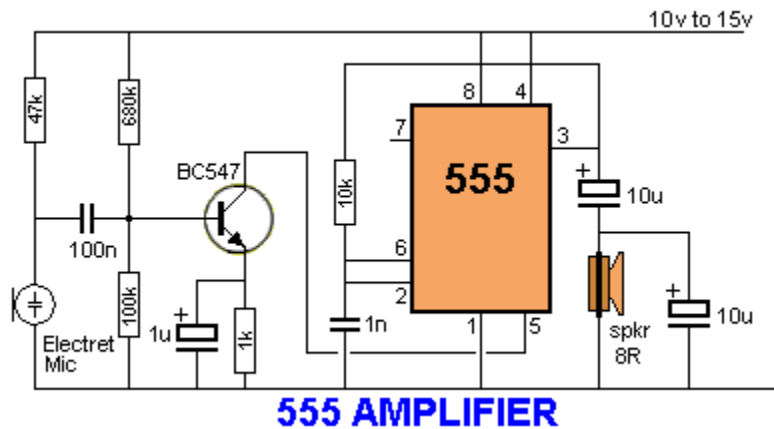
A negative supply can be produced by a "Charge-Pump" circuit created with a 555, diodes and capacitors as shown in the following circuit. The output will deliver about 50mA.



[to Index](#)

555 AMPLIFIER

The 555 can be used as an amplifier. It operates very similar to pulse-width modulation. The component values cause the 555 to oscillate at approx 66kHz and the speaker does not respond to this high frequency. Instead it responds to the average CD value of the modulated output and demonstrates the concept of pulse-width modulation. The chip gets very hot and is only for brief demonstrations.

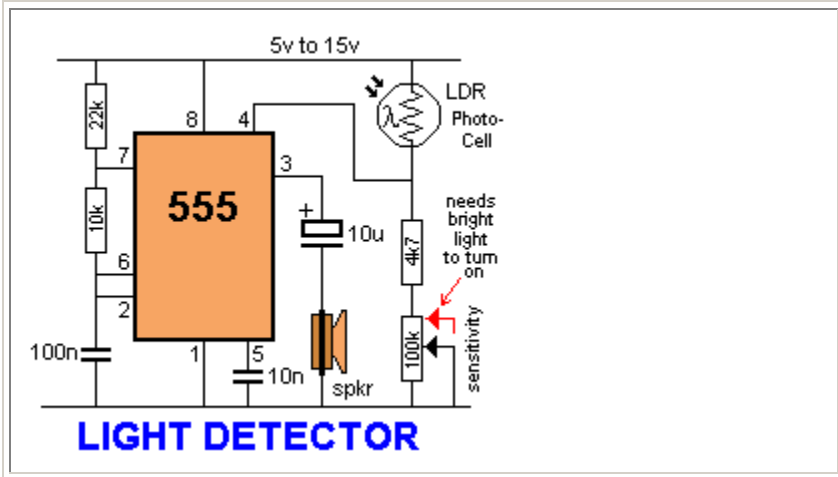


[to Index](#)

LIGHT DETECTOR

This circuit detects light falling on the Photo-cell (Light Dependent Resistor) to turn on the 555 and create a tone that is delivered to the speaker. Pin 4 must be held below 0.7v to turn the 555 off. Any voltage above 0.7v will activate the circuit. The adjustable sensitivity control is needed to set the level at which the circuit is activated. When the sensitivity pot is turned so that it has the lowest resistance (as shown in red), a large amount of light must be detected by the LDR for its resistance to be low. This produces a voltage-divider made up of the LDR and 4k7 resistor. As the resistance of the LDR decreases, the voltage across the 4k7 increases and the circuit is activated.

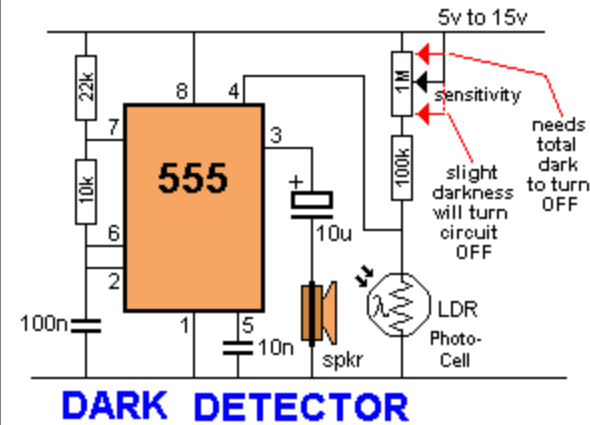
When the sensitivity control is taken to the 0v rail, its resistance increases and this effectively adds resistance to the 4k7. The lower-part of the voltage-divider now has a larger resistance and this is in series with the LDR. Less light is needed on the LDR for it to raise the voltage on pin 4 to turn the 555 on.



[to Index](#)

DARK DETECTOR

When the level of light on the photo-cell decreases, the 555 is activated. Photo-cells (Photo-resistors) have a wide range of specifications. Some cells go down to 100R in full sunlight while others only go down to 1k. Some have a HIGH resistance of between 1M and others are 10M in total darkness. For this circuit, the LOW resistance (the resistance in sunlight) is the critical value. More accurately, the value for a particular level of illumination, is the critical factor. The sensitivity pot adjusts the level at which the circuit turns on and allows almost any type of photo-cell to be used.



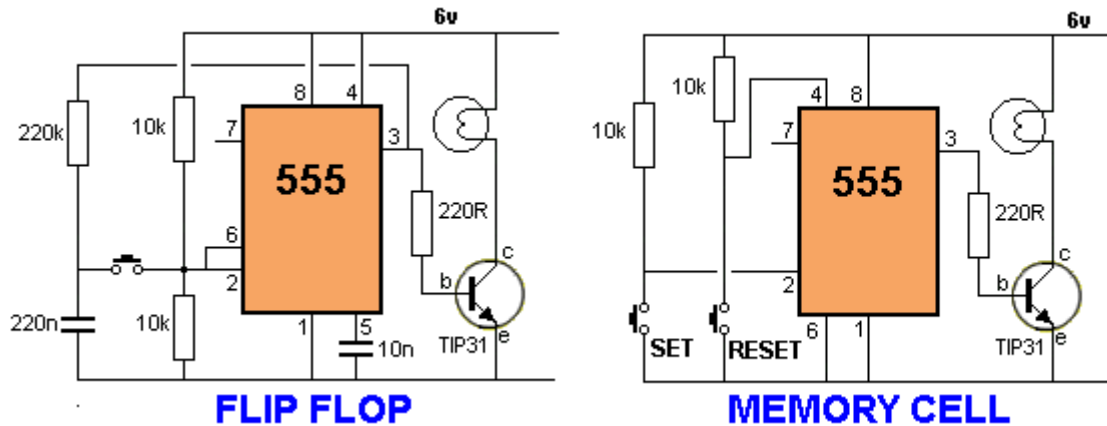
[to Index](#)

FLIP FLOP and MEMORY CELL

When output pin 3 is HIGH, the 220n charges through the 220k to 6v. When pin 3 is LOW, the 220n discharges through the 220k to 0v. Pressing the switch upsets the 3v created by the two 10k voltage dividers, triggering the flip flop inside the 555 and changing the state of the output from HIGH to LOW or *vice-versa*. The output of the 555 drives a transistor to turn a globe on and off.

The second circuit is a Memory cell and is the basis of the memory in a computer. The SET button turns on the globe and the RESET button turns the globe off.

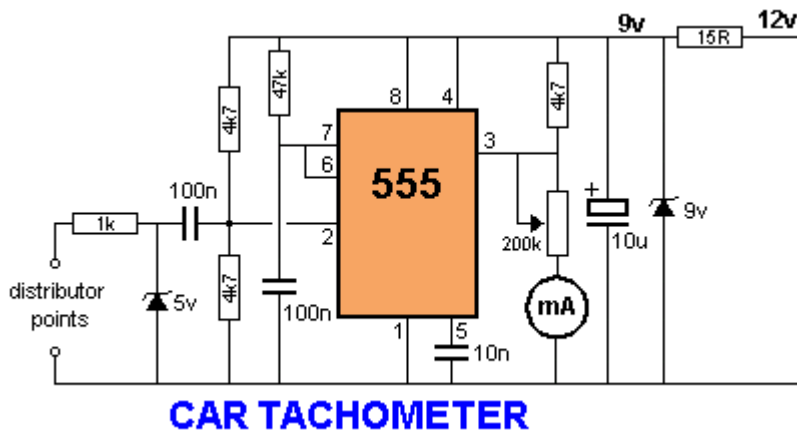
It works like this: When the circuit is turned on, pin 6 does not see a high and pin 2 does not see a low, so the 555 starts in reset mode.



CAR TACHOMETER

A 555 is configured as a monostable or one shot in this project. The period of the 555 is determined by the 47k and the capacitor from pin 6 to ground (100n). Time "T" = 1.1 RC or $1.1 \times 50,000 \times 0.1 \times 10^{-6} = 0.0055$ or 5.5 mS (milli-seconds).

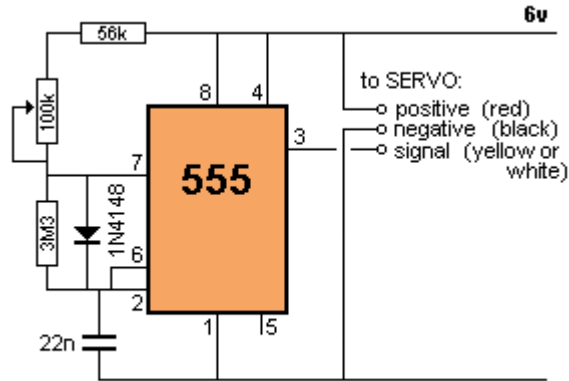
The 555 receives trigger pulses from the distributor points. These are limited by the 1k and 5v zener diode. These are AC coupled to the trigger input through the 100n coupling capacitor. The 50mA meter receives pulses of current through the 200k pot to show a reading.



Integration of the current pulses produces a visible indication of the cars engine speed on the 0-1mA meter.

Supply is taken from the cars 12v system and for the 555 it is reduced to a regulated 9v by the 15 ohm resistor in conjunction with the 9v zener diode. Note: the 10u electrolytic must be placed physically as close as possible to supply pin 8.

[to Index](#)

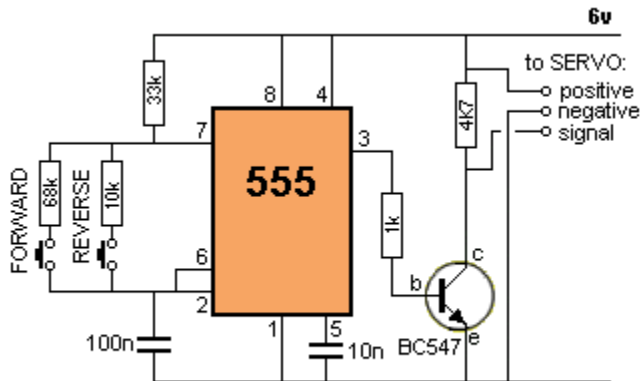


SERVO CONTROLLER

SERVO TESTER

This circuit can be used to manually turn a servo clockwise and anti-clockwise. By pushing the forward or reverse button for a short period of time you can control the rotation of the servo. It will also test a servo.

Here is a photo of a kit from **Cana Kit** for \$10.00 plus postage (it is a slightly different circuit) and a motor and gearbox, commonly called a "servo." The output shaft has a disk or wheel containing holes. A linkage or push-rod is fitted to a hole and when the disk rotates, the shaft is pushed and pulled. The shaft only rotates about 180° to actuate flaps or ailerons etc.



SERVO TESTER



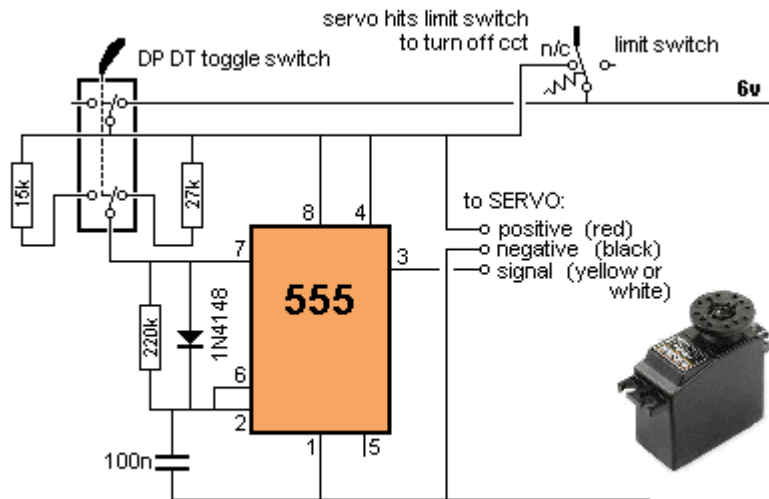
A pot can be used to control the position of the servo by using the following circuit. It produces a positive pulse between about 0.9 milliseconds and 2.1 milliseconds. The off period between pulses is about 40 milliseconds. This can be shortened by reducing the value of the 3M3 resistor.

[to Index](#)

USELESS MACHINE

Here is a fun project using a servo motor and a circuit similar to the SERVO TESTER project above. It is available on the INSTRUCTABLES website. Before you do anything, watch the video:

<http://www.instructables.com/id/The-Most-Useless-Machine>



USELESS MACHINE

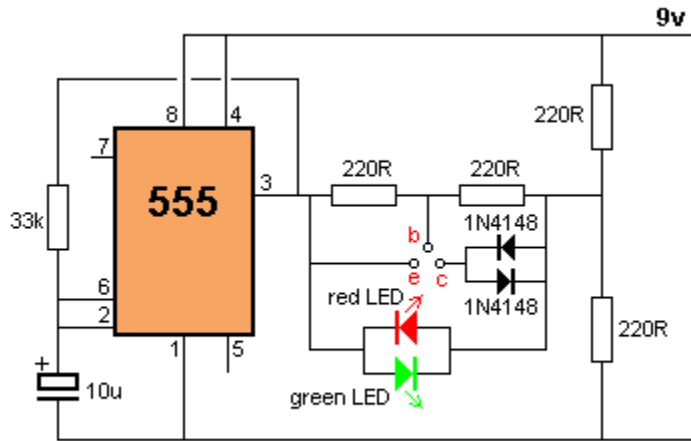
The Instructables website contains all the construction details. The circuit diagram shows the toggle switch is clicked towards the lid of the box and this starts the servo motor. The servo has an arm that comes out of the box and clicks the switch to the opposite position. This reverses the servo and the arm retreats into the box and hits the limit switch that turns the circuit off.

You may have to adjust the value of the 15k and 27k resistors and you will also see other videos on the Instructables website to help you with construction.

As the website says: "It's the most useless invention, but everyone wants one."

[to Index](#)

TRANSISTOR TESTER



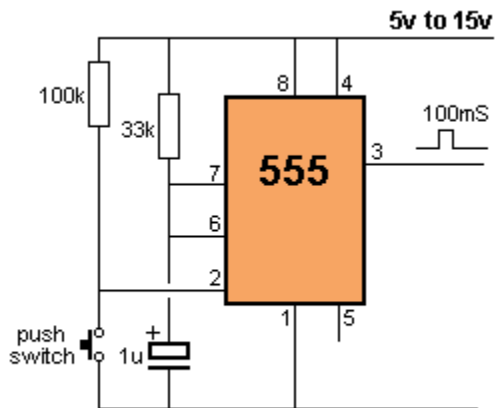
TRANSISTOR TESTER

The 555 operates at 2Hz. Output pin 3 drives the circuit with a positive then zero voltage. The other end of the circuit is connected to a voltage divider with the mid-point at approx 4.5v. This allows the red and green LEDs to alternately flash when no transistor is connected to the tester. If a good transistor is connected, it will produce a short across the LED pair when the voltage is in one direction and only one LED will flash. If the transistor is open, both LED's will flash and if the transistor is shorted, neither LED will flash.

[to Index](#)

SWITCH DEBOUNCE

The output goes HIGH for 100mS when the switch is pressed.



SWITCH DEBOUNCE

[to Index](#)

INCREASING OUTPUT CURRENT

The 555 will deliver 200mA to a load but the chip gets extremely hot (12v supply). The answer is to use a buffer transistor.

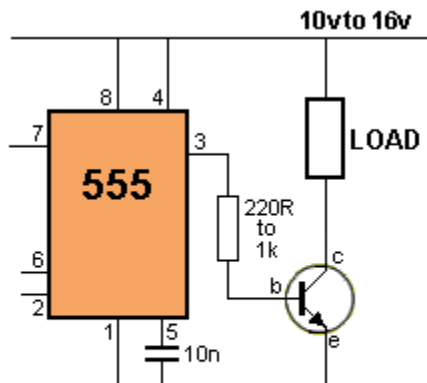
For 200mA, use a BC547 or equivalent.

For 500mA use a BC337 or equivalent

For 1A, use a TIP31 or equivalent.

For 3A - 5A use a BD679 or equivalent with heatsink

For 5A to 10A use TIP3055 with heatsink



INCREASING OUTPUT CURRENT

[to Index](#)

INCREASING OUTPUT PUSH-PULL CURRENT

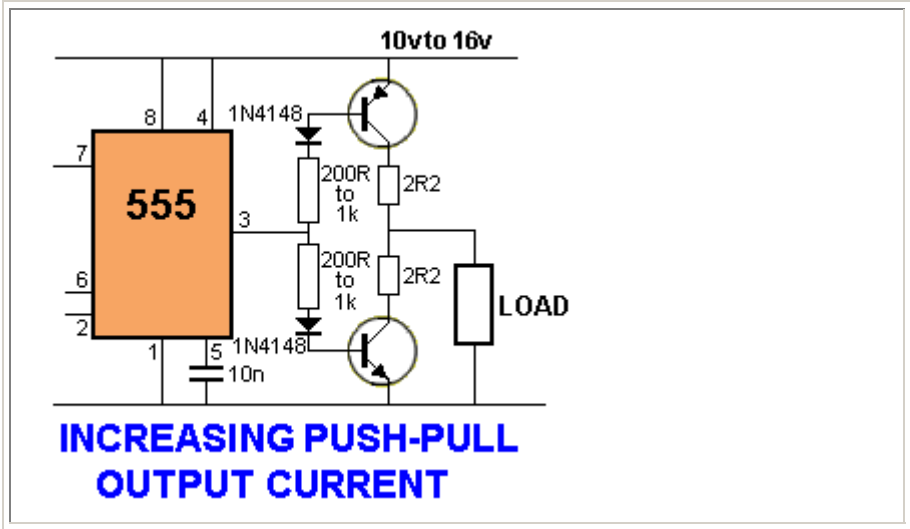
Some 555's do not swing rail-to-rail when 200mA is being delivered and the chip gets very hot when trying to deliver 200mA.

The solution is to add a push-pull output. The following arrangement has been chosen as it swings almost rail-to-rail but two faults need to be addressed.

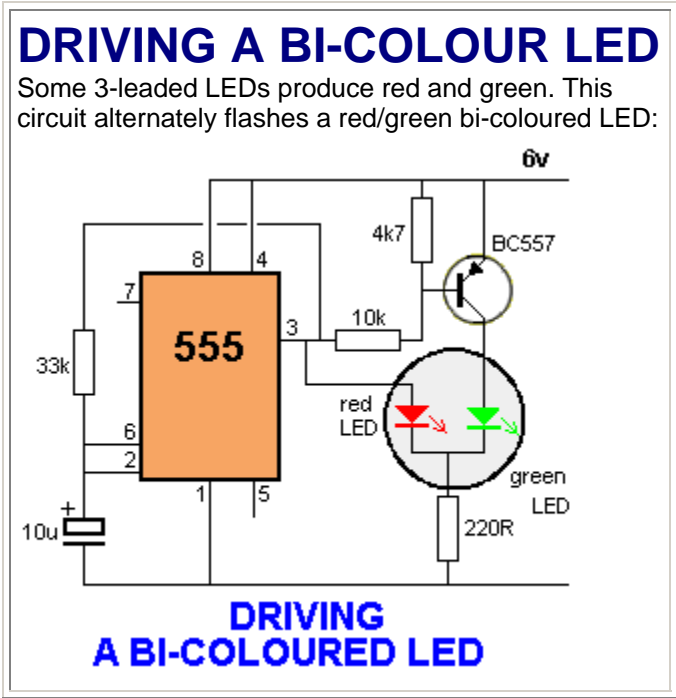
Both transistors turn on during the brief interval when pin 3 is travelling from high to low or low to high.

This means the two transistors will put a "short" across the power rail.

The addition of the 4R4 will allow a high current to flow but the transistors will not be damaged. In addition, diodes on the base of each transistor allows alternate ones to turn off when output pin 3 is HIGH or LOW.



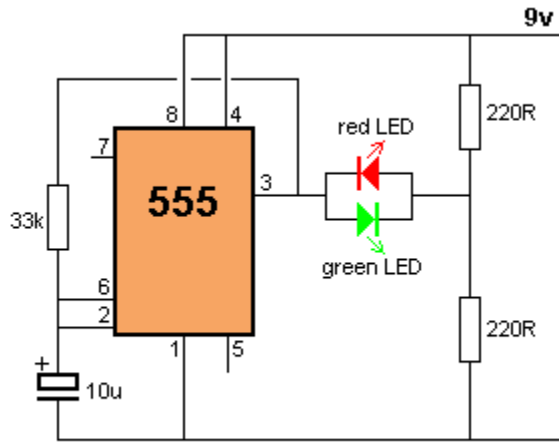
[to Index](#)



[to Index](#)

BI-POLAR LED DRIVER

Some 2-leaded LEDs produce red and green. These are called Bi-polar LEDs. This circuit alternately flashes a red/green bi-polar LED:



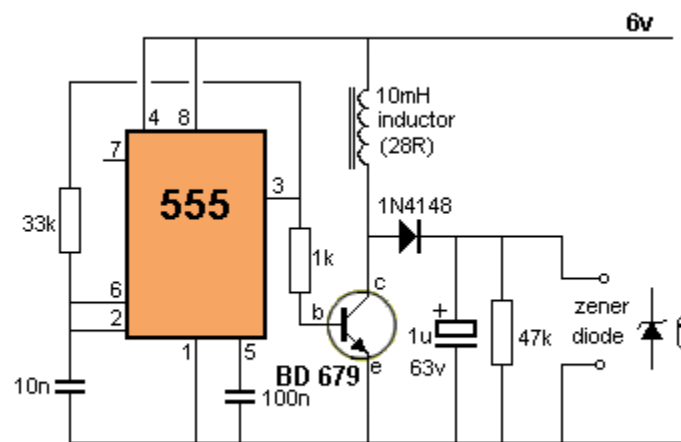
BI-POLAR LED DRIVER

[to Index](#)

ZENER DIODE TESTER

This circuit will test zener diodes up to 56v. See Talking Electronics website, left index, 200 Transistor Circuits (circuits 1-100) and go to Zener Diode (making) to see how to make a zener diode and how to create a zener voltage from a combination of zeners.

Place the zener across the terminals in the circuit below and read the value across it with a multimeter set to 50v range.

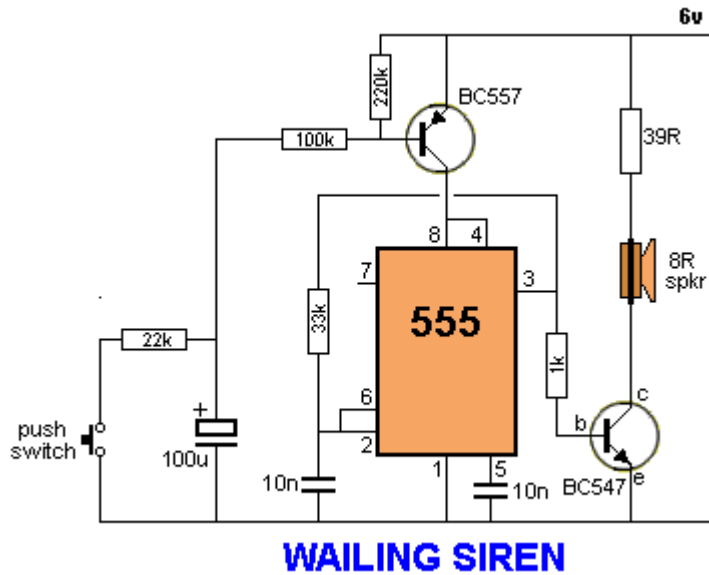


ZENER DIODE TESTER

[to Index](#)

WAILING SIREN

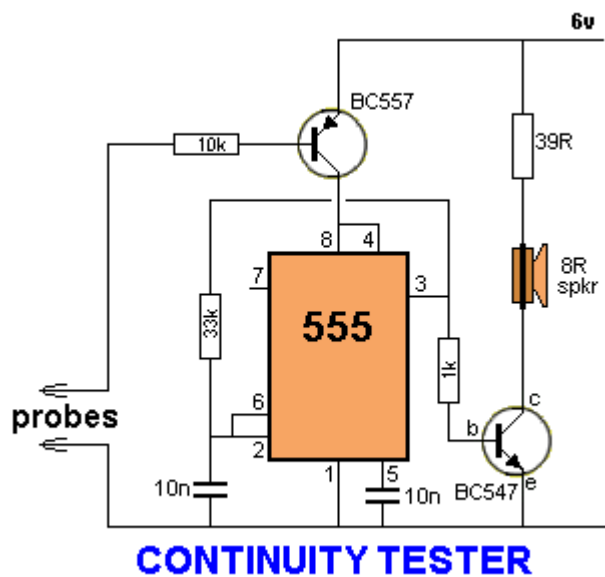
By pressing the button, the wailing sound increases.
Releasing the button decreases the wailing.
The circuit automatically turns off after about 30 seconds.



[to Index](#)

CONTINUITY TESTER

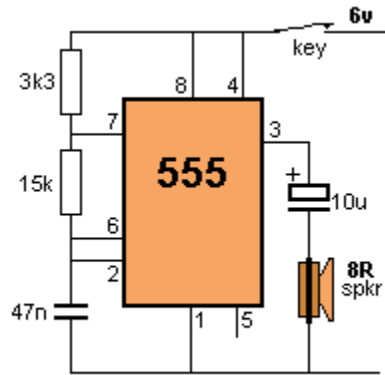
This circuit will detect low resistances and high resistances to produce a tone from the speaker.
It will detect up to 200k and the circuit automatically turns off when the probes are not used.



[to Index](#)

MORSE KEYER

This circuit will help you master the art of keying Morse Code:



MORSE KEYER

Morse Code:

| | | | | | | |
|-------------|-----------|-------------|-------------|-----------|-------------|-----------|
| A .. | E . | I .. | M _ _ | Q _ _ _ _ | U ... | Y _ _ _ _ |
| B _ _ _ _ | F _ _ _ . | J . _ _ _ _ | N _ . | R _ . . | V _ _ . . | Z _ _ . . |
| C _ | G _ . . . | K _ . . . | O _ _ _ _ | S _ . . | W _ . . . | |
| D _ . . | H _ . . . | L _ . . . | P _ | T _ | X _ | |

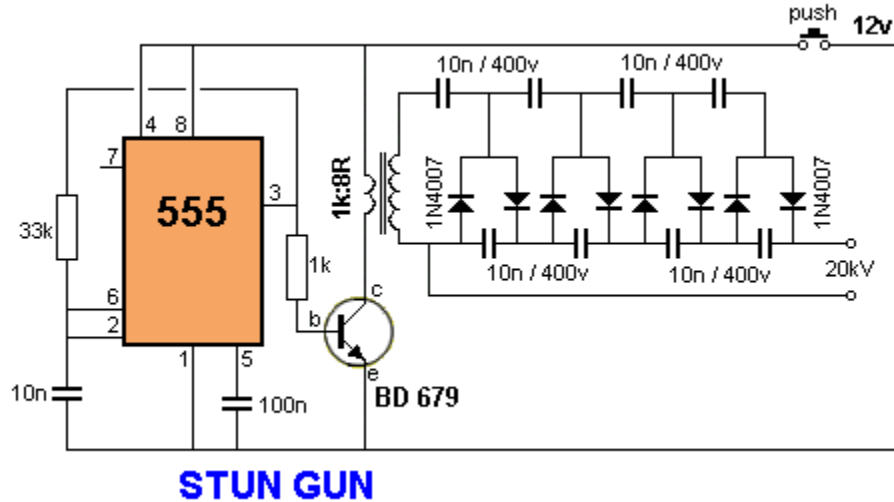
International Phonetic Alphabet:

| | | | | | | |
|-----------------|-----------------|----------------|------------------|----------------|-----------------|----------------|
| A lva | E cho | I ndia | M ike | Q uebec | U niform | Y ankee |
| B ravo | F oxtrot | J uliet | N ovember | R omeo | V ictor | Z ulu |
| C harley | G olf | K ilo | O scar | S ierra | W iskey | |
| D elta | H otel | L ima | P apa | T ango | X ray | |

[to Index](#)

STUN GUN

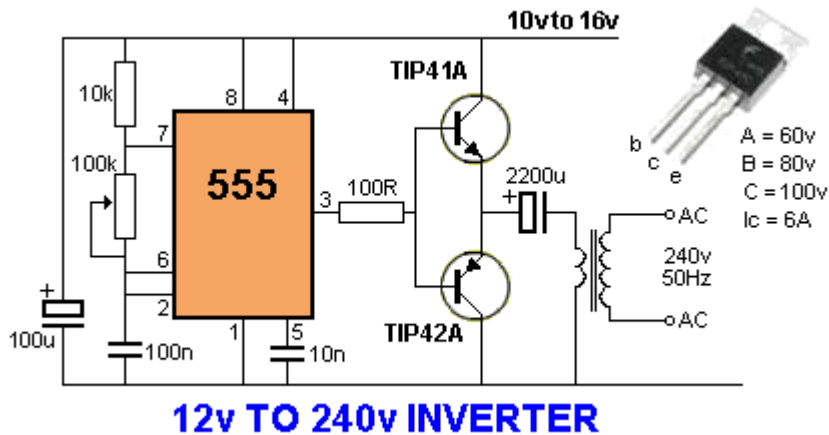
This circuit produces a very high voltage and care must be used to prevent getting a nasty shock. The transformer can produce over 1,000v and the 8-stage multiplier can produce up to 20,000v



[to Index](#)

12v to 240v INVERTER

This circuit will produce 240v at 50Hz. The wattage will depend on the driver transistors and transformer.

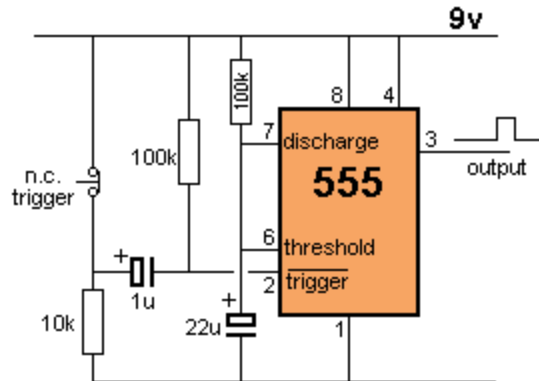


[to Index](#)

ACTIVE LOW TRIGGER

This circuit sits LOW and the output goes HIGH when the push-button is pressed. When the normally-closed push button is pressed, it opens and the uncharged 1u will be pulled to nearly 0v rail via the 10k and this will take pin 2 LOW to make output pin 3 HIGH for the duration determined by the 22u and 100k. If the push-switch stays open, the 1u will charge via the 100k and eventually the output of the 555 will go low.

But normally the switch must be pressed for a short period of time so that the timing components (100k and 22u) make the output go HIGH for a short period of time. This circuit is called an ACTIVE LOW TRIGGER

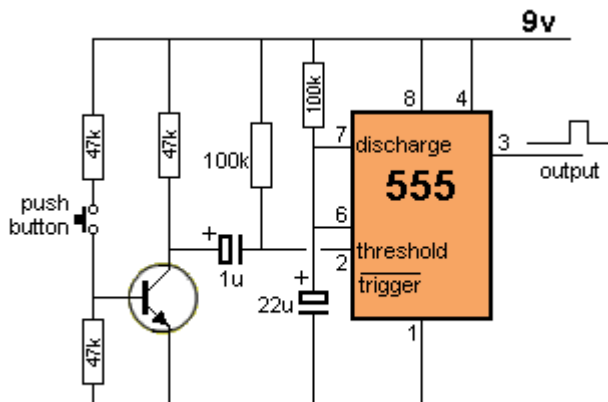


NORMALLY CLOSED TRIGGER
(also called ACTIVE LOW TRIGGER)

[to Index](#)

ACTIVE HIGH TRIGGER

This circuit produces a HIGH output via a HIGH trigger:

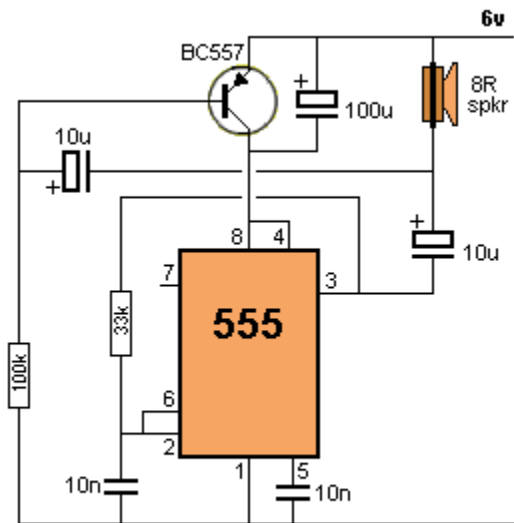


ACTIVE HIGH TRIGGER

[to Index](#)

MACHINE GUN

This circuit produces a sound very similar to a machine gun:

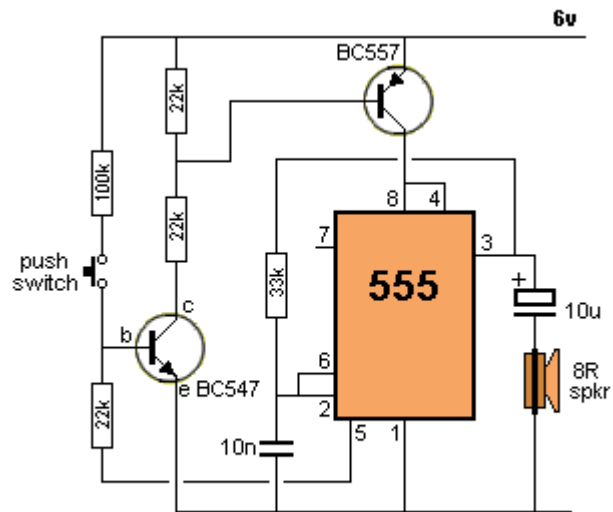


MACHINE GUN

[to Index](#)

LATCH

This circuit is a LATCH and remains ACTIVE when the push-button has been pressed for an INSTANT and released.



LATCH

[to Index](#)

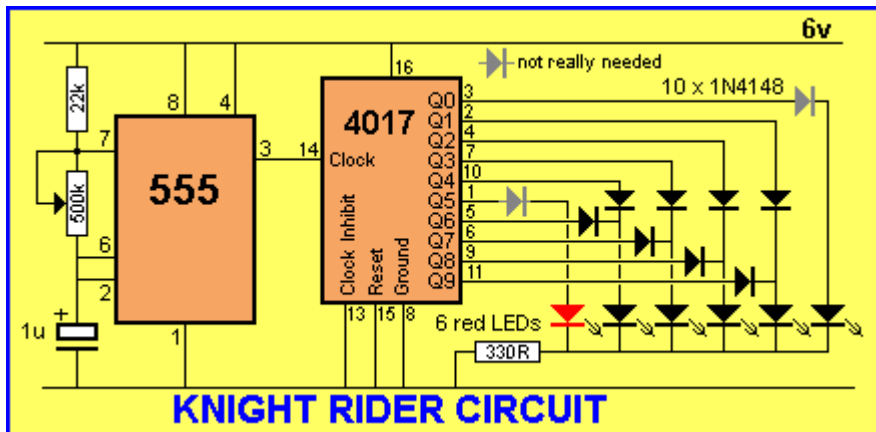
KNIGHT RIDER

In the **Knight Rider** circuit, the 555 is wired as an oscillator. It can be adjusted to give the desired speed for the display. The output of the 555 is directly connected to the input of a Johnson Counter (CD 4017). The input of the counter is called the CLOCK line.

The 10 outputs Q_0 to Q_9 become active, one at a time, on the rising edge of the waveform from the 555. Each output can deliver about 20mA but a LED should not be connected to the output without a current-limiting resistor (330R in the circuit above).

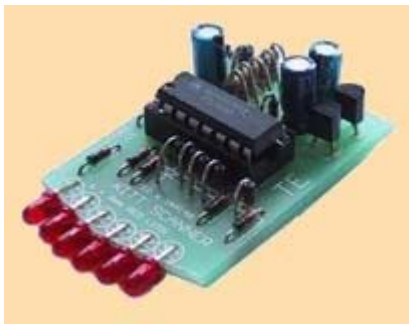
The first 6 outputs of the chip are connected directly to the 6 LEDs and these "move" across the display. The next 4 outputs move the effect in the opposite direction and the cycle repeats. The animation above shows how the effect appears on the display.

Using six 3mm LEDs, the display can be placed in the front of a model car to give a very realistic effect. The same outputs can be taken to driver transistors to produce a larger version of the display.

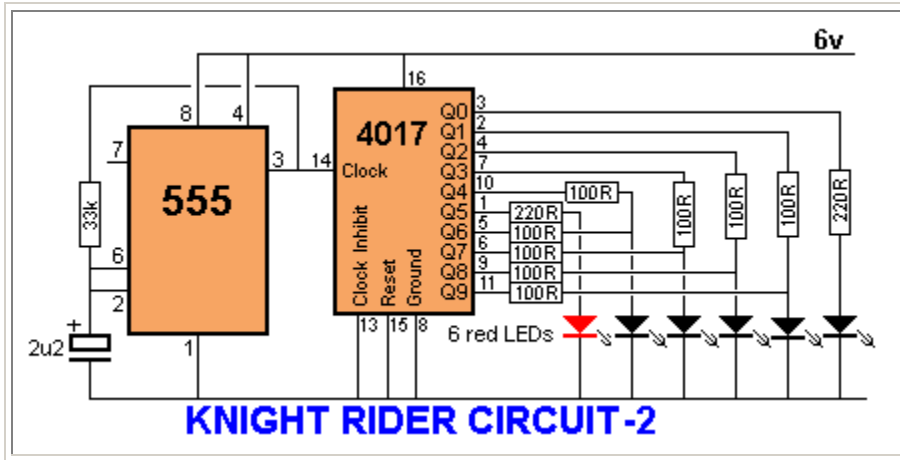


BUY NOW

The **Knight Rider** circuit is available as a kit for less than \$15.00 plus postage as **Kitt Scanner**.



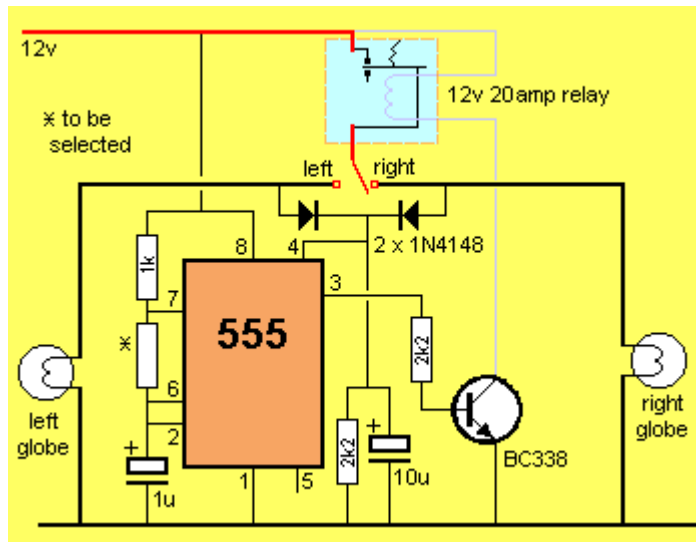
Here is a simple Knight Rider circuit using resistors to drive the LEDs. This circuit consumes 22mA while only delivering 7mA to each LED. The outputs are "fighting" each other via the 100R resistors (except outputs Q_0 and Q_5).



[to Index](#)

FLASHING INDICATORS

This is a request from [Daniel](#), one of our subscribers. He needed to flash "turn indicators" using a 555 and a single 20 amp relay. Here is our suggestion. The timing resistor needs to be selected for the appropriate flash-rate.

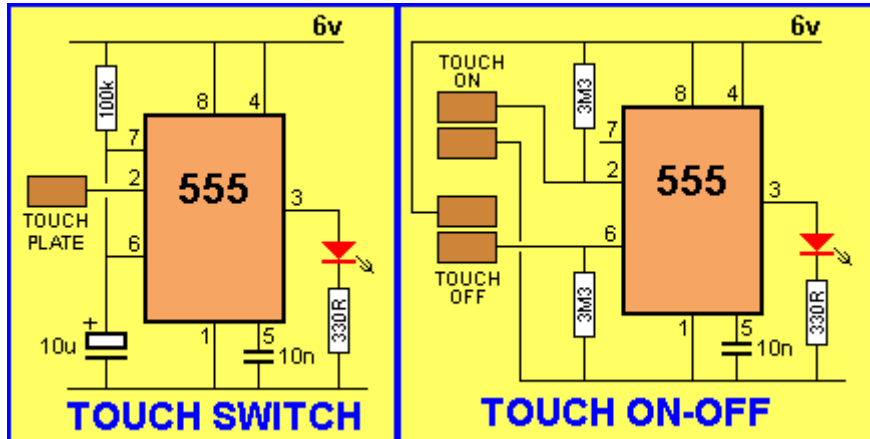


Flashing the "TURN INDICATORS"

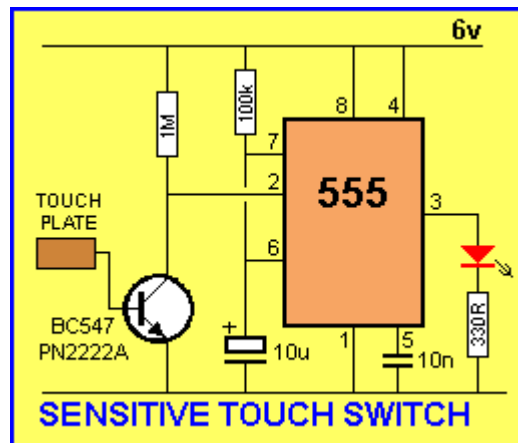
[to Index](#)

TOUCH SWITCH and TOUCH ON-OFF

The **Touch Switch** circuit will detect stray voltages produced by mains voltages and electrostatic build-up in a room. In the first circuit, pin 2 must see a LOW for the circuit to activate. If sufficient static voltage is detected by the plate, the chip will change state. If not, you will need to touch the plate and the 0v rail. In the second circuit, two touch plates are provided and the resistance of your finger changes the voltage on pin 2 or 6 to toggle the 555.



The circuit can be made 100 times more sensitive by adding a transistor to the front-end as shown in the diagram below:

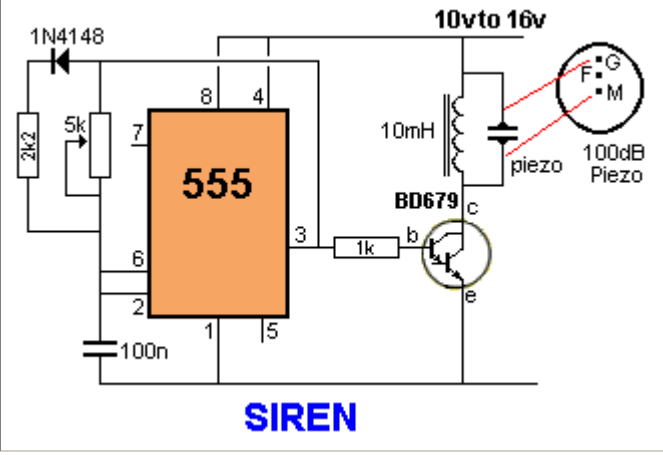


[to Index](#)

SIREN 100dB

This is a very loud siren and if two or more piezo's are located in a room, the burglar does not know where the sound is coming from.

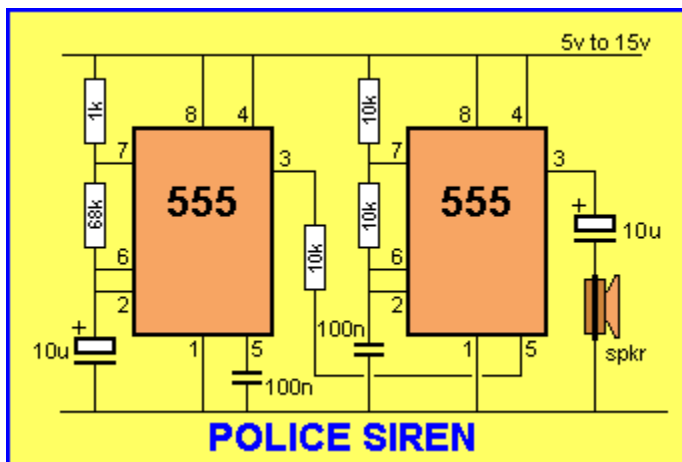
A robber will not stay anywhere with an ear-piercing sound as he cannot hear if someone is approaching. It's the best deterrent you can get. The "F" contact on the piezo is "feedback" and is not needed in this circuit.



[to Index](#)

POLICE SIREN

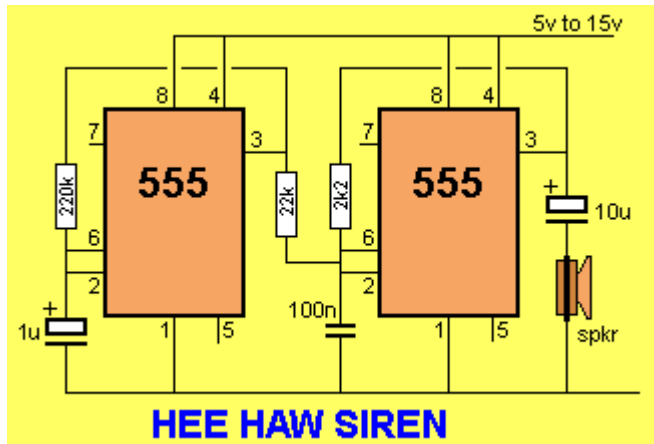
The **Police Siren** circuit uses two 555's to produce an up-down wailing sound. The first 555 is wired as a low-frequency oscillator to control the **VOLTAGE CONTROL** pin 5 of the second 555. The voltage shift on pin 5 causes the frequency of the second oscillator to rise and fall.



[to Index](#)

HEE HAW SIREN

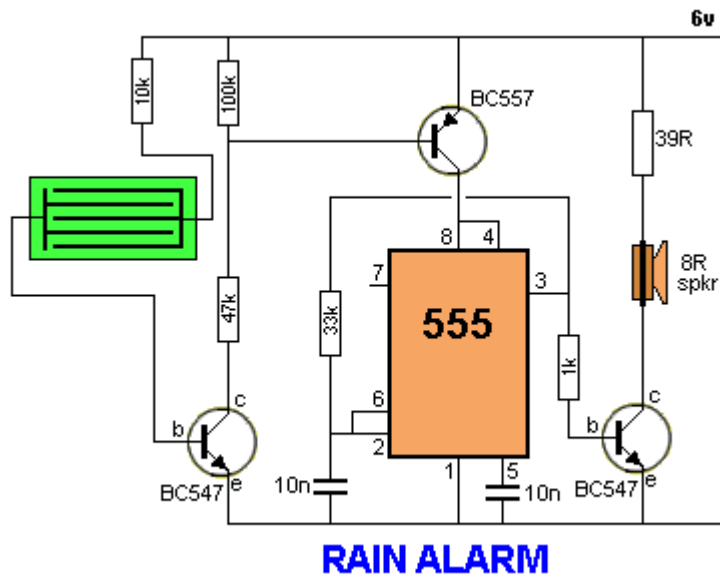
Build the circuit and listen. Change the resistors and capacitors to get all sorts of different results.



[to Index](#)

RAIN ALARM

This circuit consumes no current until moisture is detected on the rain plate.

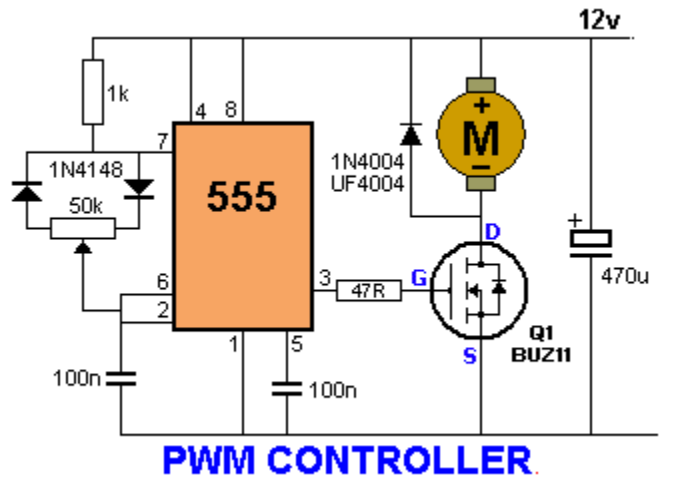


[to Index](#)

PWM CONTROLLER

See also: [PWM](#)

This controller will deliver up to 30 amps and control the motor from 5% to 95%.



[to Index](#)

SOLAR TRACKER

Some ideas are simply not suited for a 555. This is one. A solar tracker should consume little or no current when waiting for a the sun to change position. A 555 takes 10mA+ and suitable circuits using other chips will take less than 1mA. That's why we have not designed a 555 circuit.

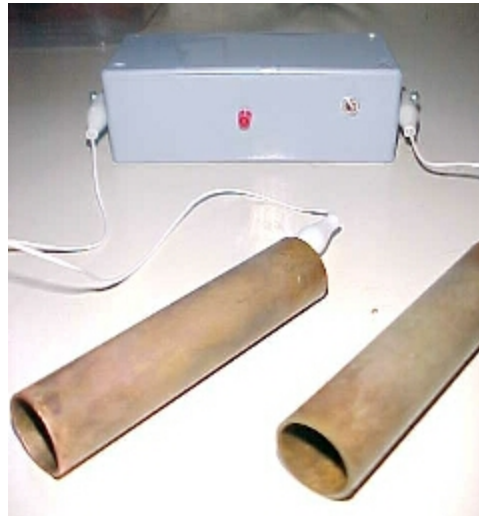
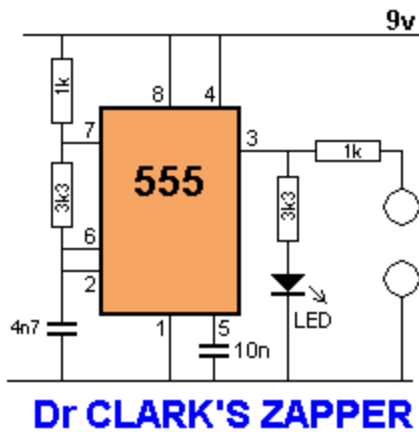
[to Index](#)

HULDA CLARK ZAPPER

This is the circuit for Dr. Hulda Clark's Zapper, designed in 2003. The frequency is approximately 30kHz positive offset square wave. It has a red LED light that lights up when the unit is on. Perfect for regular zapping, extended zapping and other Hulda Clark related experiments.

This device is used to cure, treat and prevent any disease. It will cure anything. Simply hold the two probes (one in each hand) for 5-10 minutes then rest for 20 minutes, then repeat two more times. Do this each day and you will be cured. Here is the .pdf of her book: [A Cure For All Diseases](#). Website: <http://clarktestimonials.com/> Hundreds of people have been cured of everything from herpes to AIDS.

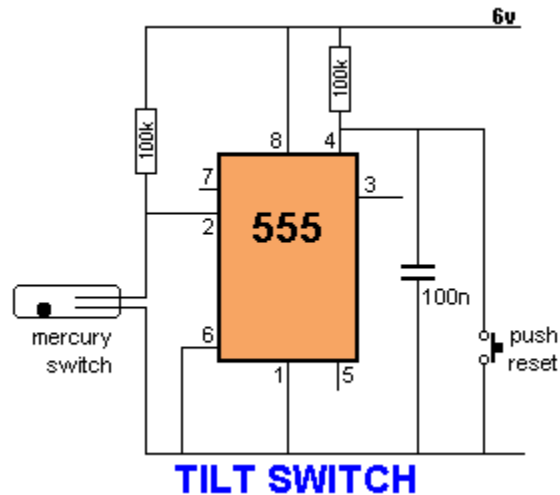
On the other side of the coin is the claim that Dr Hulda Clark is a complete quack. Here is a website called: [Quackwatch](#). The second diagram shows the two copper tubes and the circuit in a plastic box. I am still at a loss to see how any energy can transfer from this quack machine, through the skin (50k skin resistance and 9v supply) and zap a bug in your intestine. It's a bit like saying I will kill all the mice in a haystack by stabbing the stack with a needle.



[to Index](#)

TILT SWITCH

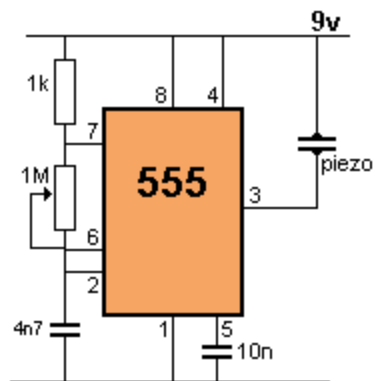
The output is LOW at start-up due to the capacitor on pin 4. When the mercury switch closes, the output goes HIGH and remains HIGH until the reset button is pressed. This circuit is called a LATCH. See [Latch circuit](#) and [Memory Cell](#) above.



[to Index](#)

MOSQUITO REPELLER

This circuit produces a tone above the human audible range and this is supposed to keep the mosquitoes away. You need a piezo diaphragm that will respond to 15kHz and these are very difficult to find.

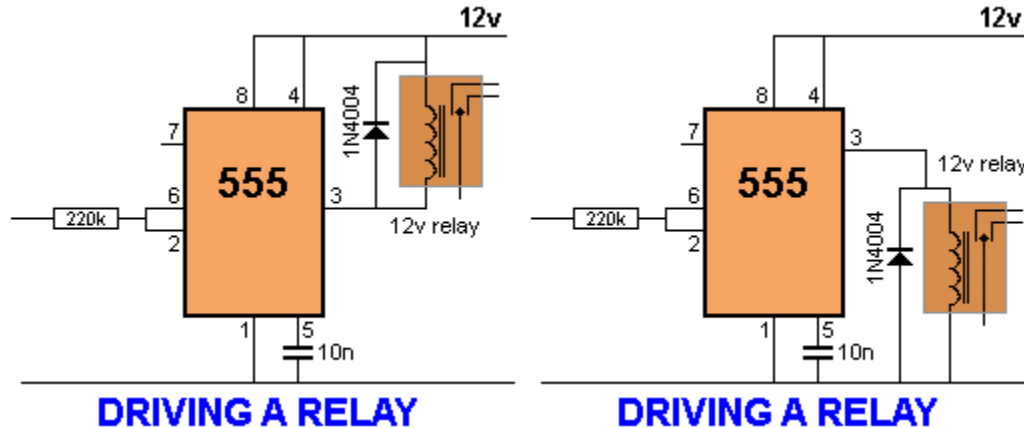


[to Index](#)

DRIVING A RELAY

The 555 will activate a relay. When pins 2 and 6 are connected as an input, the chip requires only about 1uA to activate the output. This is equivalent to a gain of about 200,000,000 (200 million) and represents about 4 stages of amplification via transistors.

In the first circuit, the output will be opposite to the input. The relay can be connected "high" or "low" as show in the second diagram. One point to note: The input must be higher than 2/3V for the output to be low and below 1/3V for the output to be high. This is called HYSTERESIS and prevents any noise on the input creating "relay chatter."



NEGATIVE LOGIC

An interesting point to remember.

In the first diagram above, the relay is connected so that it is active when the output is low. This is called NEGATIVE or NEGATIVE LOGIC. It has the same reasoning as $-5 - (-5) = 0$.

Or in English: "I am not NOT going."

When the input is low in the first diagram, the output is HIGH and the relay is OFF. The circuitry creates two reversals and makes it easy to see that when the input is LOW, the relay is OFF.

[to Index](#)

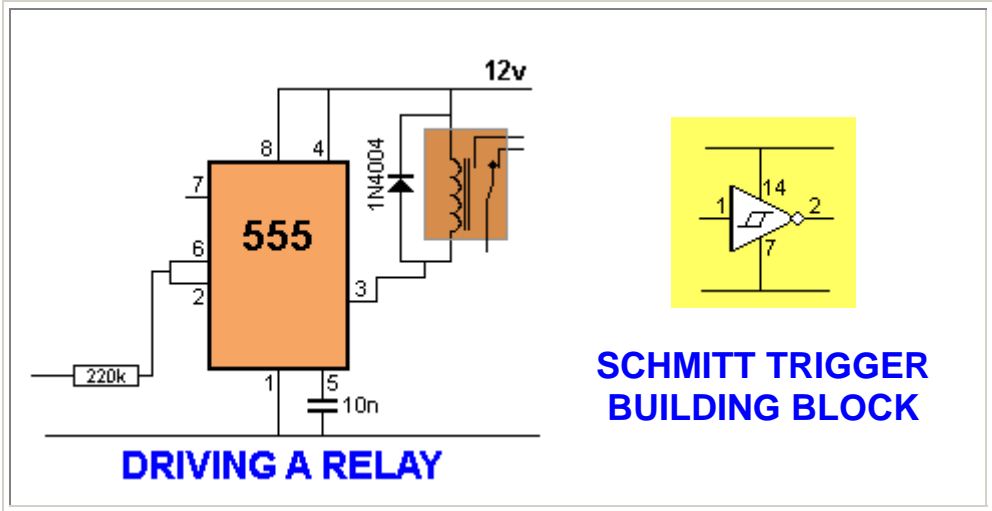
SCHMITT TRIGGER (Hysteresis) also called AN INVERTER also called A SCHMITT INVERTER

This circuit is the same as **Driving A Relay** circuit above. It is the same circuit with a different name.

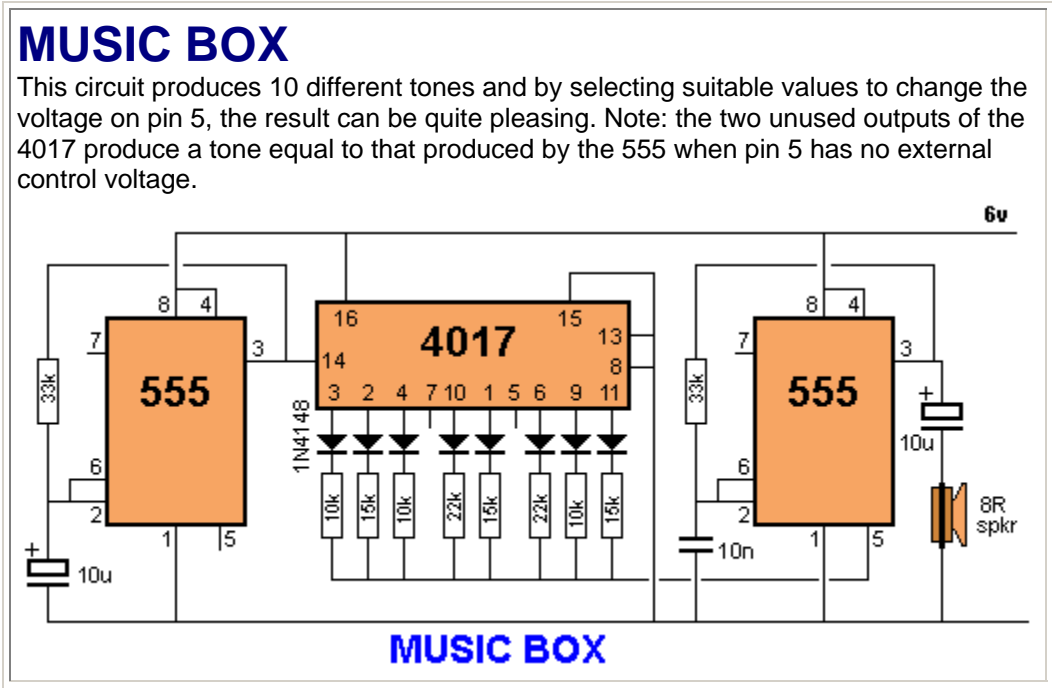
We have also animated the circuit to show how the output goes high or low according to the input level. The animation shows a wide gap between the input levels when the time when the output goes HIGH or LOW and this gap is called the HYSTERESIS GAP.

This circuit is called a SCHMITT TRIGGER and it is used in many building-blocks (using a different chip - such as 74c14) to prevent false triggering.

It prevents false triggering because as the input rises, the output does not change until the input voltage is fairly high. If the input voltage falls, the output does not change until the input falls about 30%. This means small fluctuations (noise) on the input do not have any effect on the output. The output is the INVERSE of the input - in other words the 555 is a SCHMITT INVERTER. The second diagram shows a Schmitt Trigger building block.



[to Index](#)



[to Index](#)

REACTION TIMER GAME

This is a game for two players.

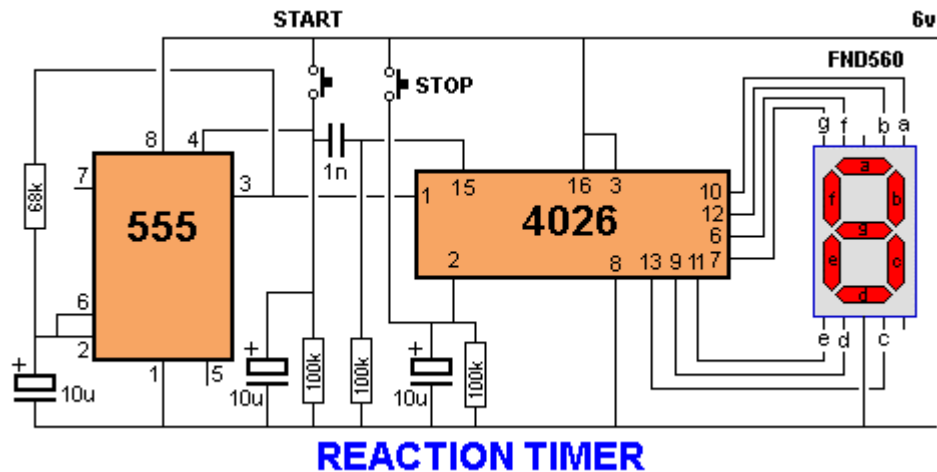
Player 1 presses the **START** button. This resets the 4026 counter chip and starts the 555 oscillator.

The 555 produces 10 pulses per second and these are counted by the 4026 chip and displayed on the 7-Segment display.

The second player is required to press the **STOP** button. This freezes the display by activating the **Clock Inhibit** line of the 4026 (pin 2).

Two time-delay circuits are included. The first activates the 555 by charging a 10u electrolytic and at the same time delivering a (high) pulse to the 4026 chip to reset it.

The second timer freezes the count on the display (by raising the voltage on pin 2) so it can be read.



[to Index](#)

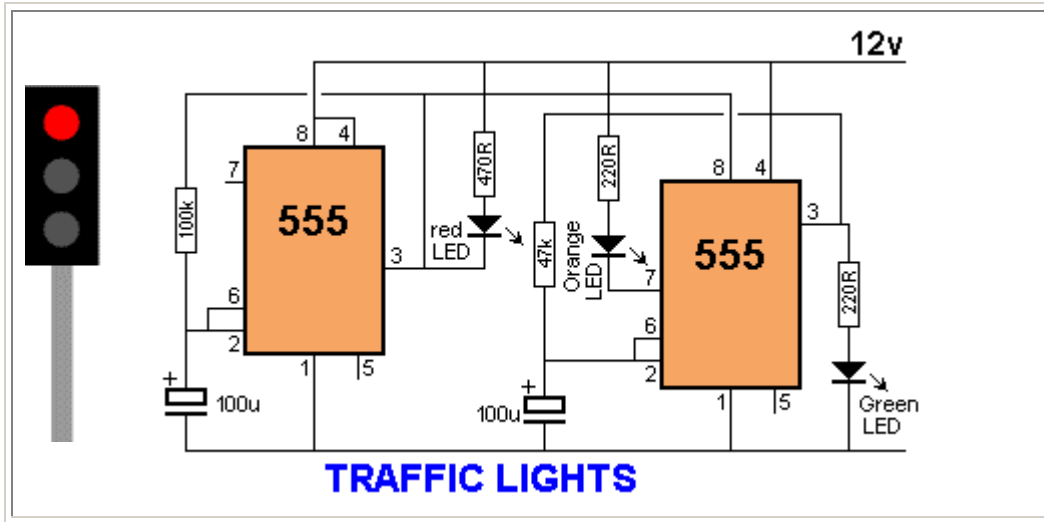
TRAFFIC LIGHTS

Here's a clever circuit using two 555's to produce a set of traffic lights for a model layout.

The animation shows the lighting sequence and this follows the Australian-standard.

The red LED has an equal on-off period and when it is off, the first 555 delivers power to the second 555. This illuminates the Green LED and then the second 555 changes state to turn off the Green LED and turn on the Orange LED for a short period of time before the first 555 changes state to turn off the second 555 and turn on the red LED.

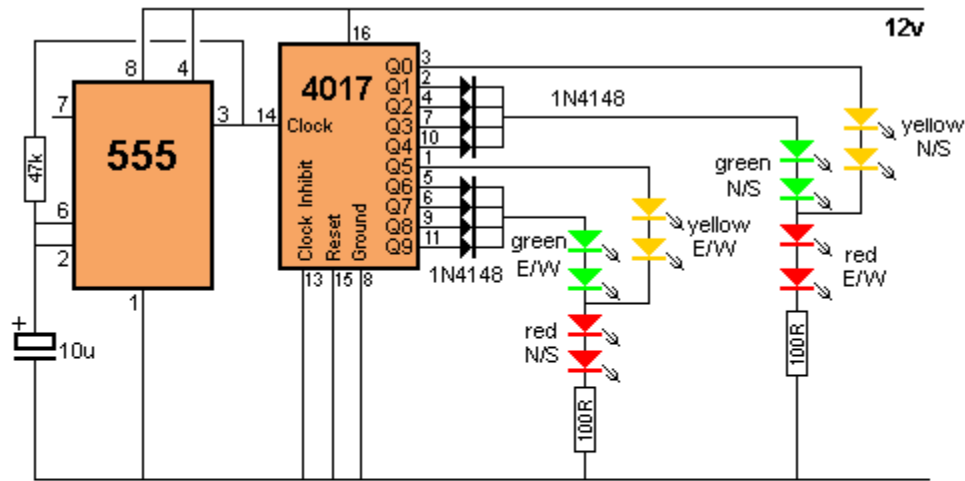
A supply voltage of 9v to 12v is needed because the second 555 receives a supply of about 2v less than rail. This circuit also shows how to connect LEDs high and low to a 555 and also turn off the 555 by controlling the supply to pin 8. Connecting the LEDs high and low to pin 3 will not work and since pin 7 is in phase with pin 3, it can be used to advantage in this design.



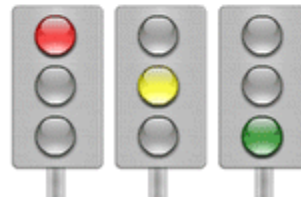
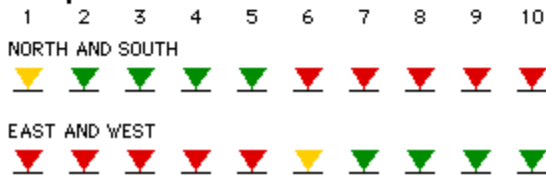
[to Index](#)

4 WAY TRAFFIC LIGHTS

This circuit produces traffic lights for a "4-way" intersection. The seemingly complex wiring to illuminate the lights is shown to be very simple.



Output:

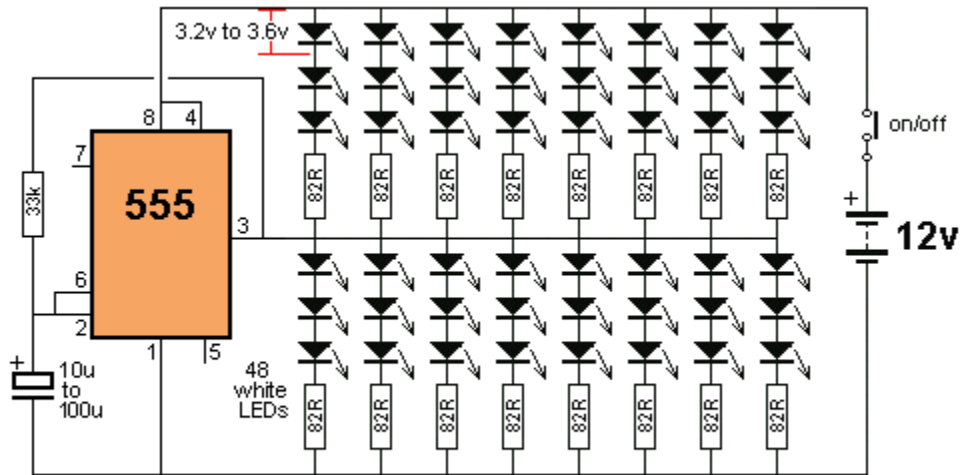


[to Index](#)

DRIVING MANY LEDs

The 555 is capable of sinking and sourcing up to 200mA, but it gets very hot when doing this on a 12v supply.

The following circuit shows the maximum number of white LEDs that can be realistically driven from a 555 and we have limited the total current to about 130mA as each LED is designed to pass about 17mA to 22mA maximum. A white LED drops a characteristic 3.2v to 3.6v and this means only 3 LEDs can be placed in series.

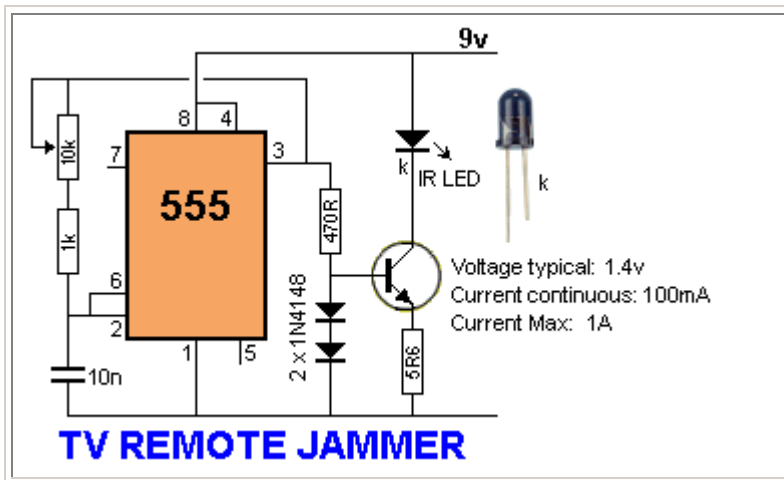


DRIVING WHITE LEDs (FLASHING)

[to Index](#)

TV REMOTE CONTROL JAMMER

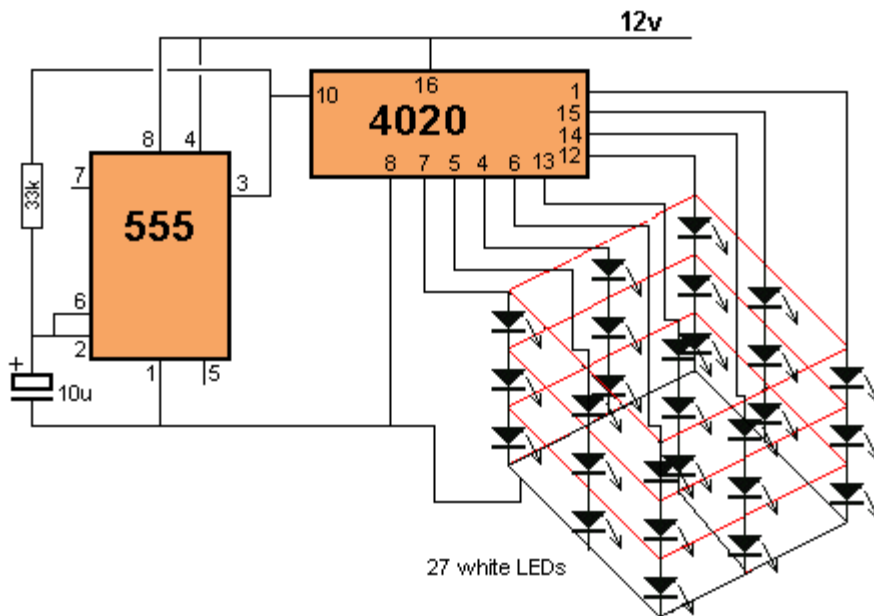
This circuit confuses the infra-red receiver in a TV. It produces a constant signal that interferes with the signal from a remote control and prevents the TV detecting a channel-change or any other command. This allows you to watch your own program without anyone changing the channel !! The circuit is adjusted to produce a 38kHz signal. The IR diode is called an Infra-red transmitting Diode or IR emitter diode to distinguish it from a receiving diode, called an IR receiver or IR receiving diode. (A **Photo diode** is a receiving diode). There are so many IR emitters that we cannot put a generic number on the circuit to represent the type of diode. Some types include: CY85G, LD271, CQY37N (45¢), INF3850, INF3880, INF3940 (30¢). The current through the IR LED is limited to 100mA by the inclusion of the two 1N4148 diodes, as these form a constant-current arrangement when combined with the transistor and 5R6 resistor.

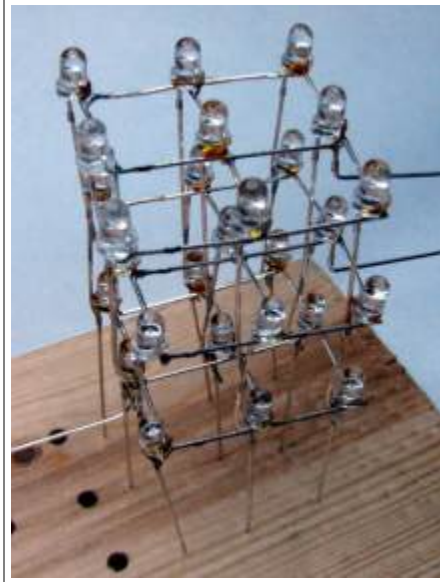


[to Index](#)

3x3x3 CUBE

This circuit drives a 3x3x3 cube consisting of 27 white LEDs. The 4020 IC is a 14 stage binary counter and we have used 9 outputs. Each output drives 3 white LEDs in series and we have omitted a dropper resistor as the chip can only deliver a maximum of 15mA per output. The 4020 produces 512 different patterns before the sequence repeats and you have to build the project to see the effects it produces on the 3D cube.

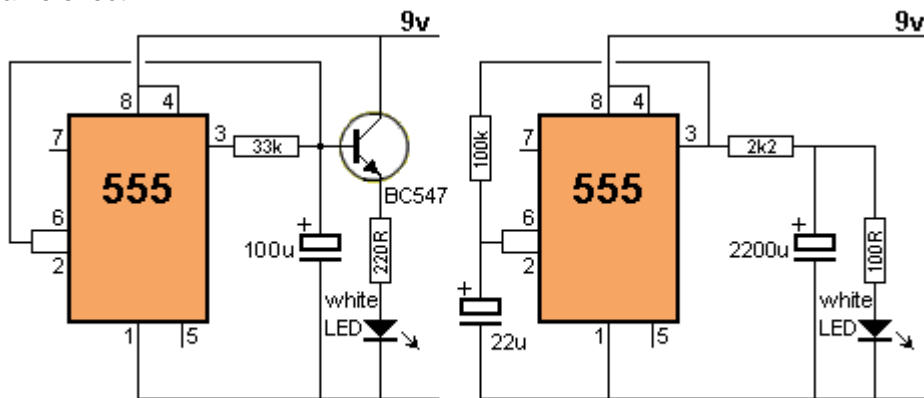




[to Index](#)

UP/DOWN FADING LED

These two circuits make a LED fade on and off. The first circuit charges a 100u and the transistor amplifies the current entering the 100u and delivers 100 times this value to the LED via the collector-emitter pins. The circuit needs 9v for operation since pin 2 of the 555 detects $2/3V_{cc}$ before changing the state of the output so we only have a maximum of 5.5v via a 220R resistor to illuminate the LED. The second circuit requires a very high value electrolytic to produce the same effect.

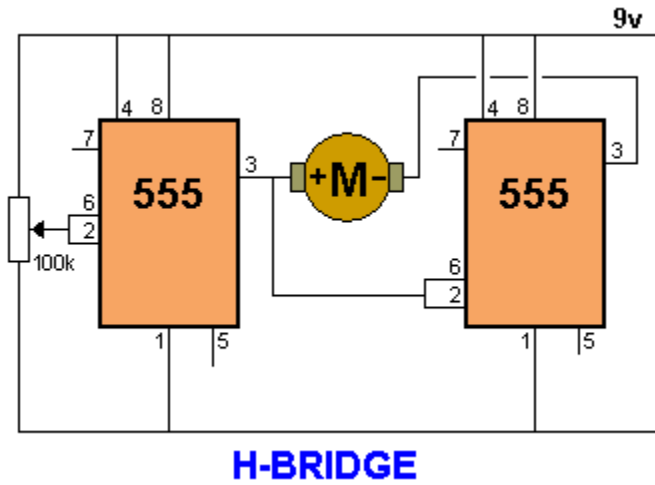


UP/ DOWN FADING LED

[to Index](#)

H-BRIDGE

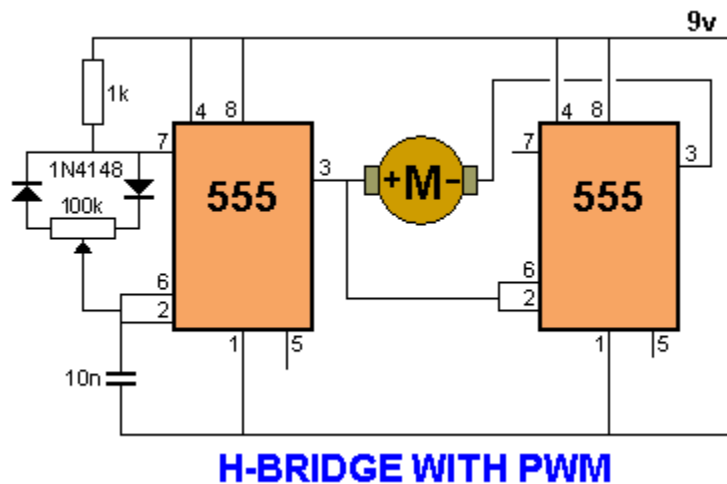
This circuit drives a motor clockwise / anticlockwise via a 10k to 100k pot.



[to Index](#)

H-BRIDGE WITH PWM

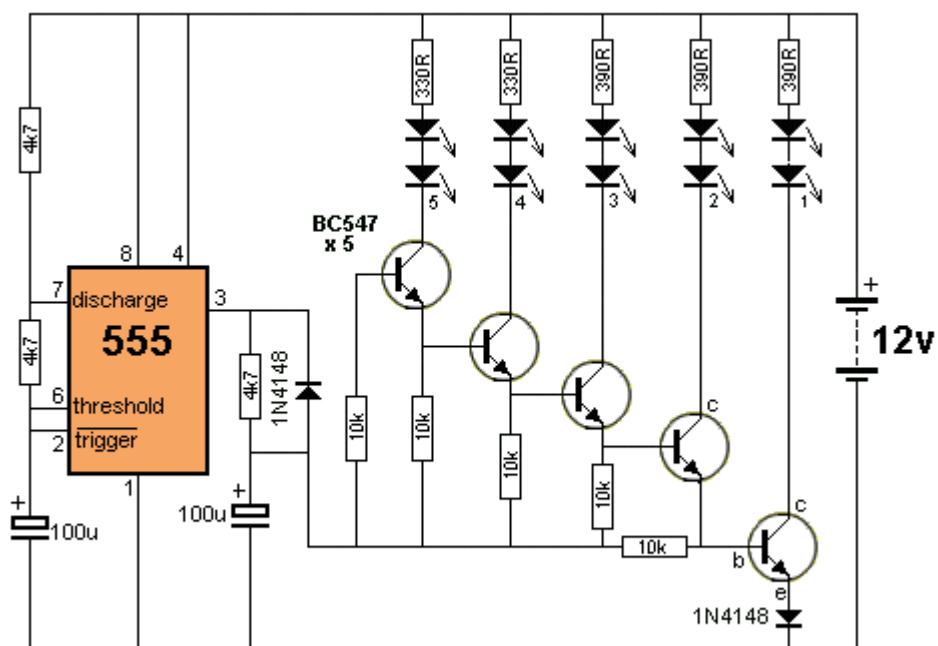
This circuit drives a motor clockwise / anticlockwise via a pot and reduces the speed to zero when the pot is in mid-position. The current is limited to 200mA and the voltage across the motor is less than 6v, but the circuit shows the principle of Pulse Width Modulation (providing powerful bursts of current to the motor to create a high or low RPM under load) and both forward / reverse RPM via the H-bridge arrangement.



[to Index](#)

BIKE TURNING SIGNAL

This circuit can be used to indicate left and right turn on a motor-bike. Two identical circuits will be needed, one for left and one for right.



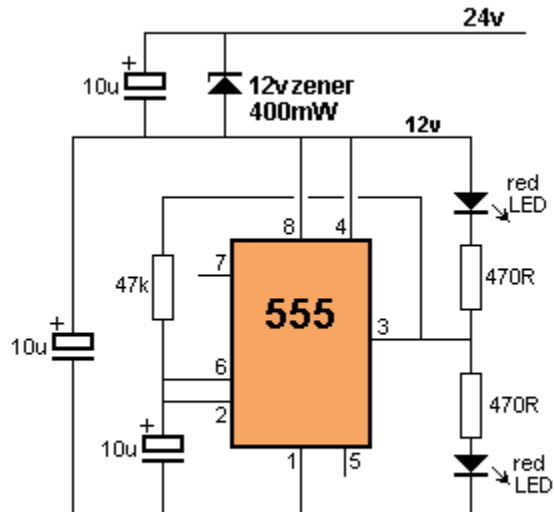
[to Index](#)

555 ON 24v

If you need to operate a 555 on 24v, you will need to reduce the voltage to less than 18v. The following circuits reduce the voltage to 12v:

30mA:

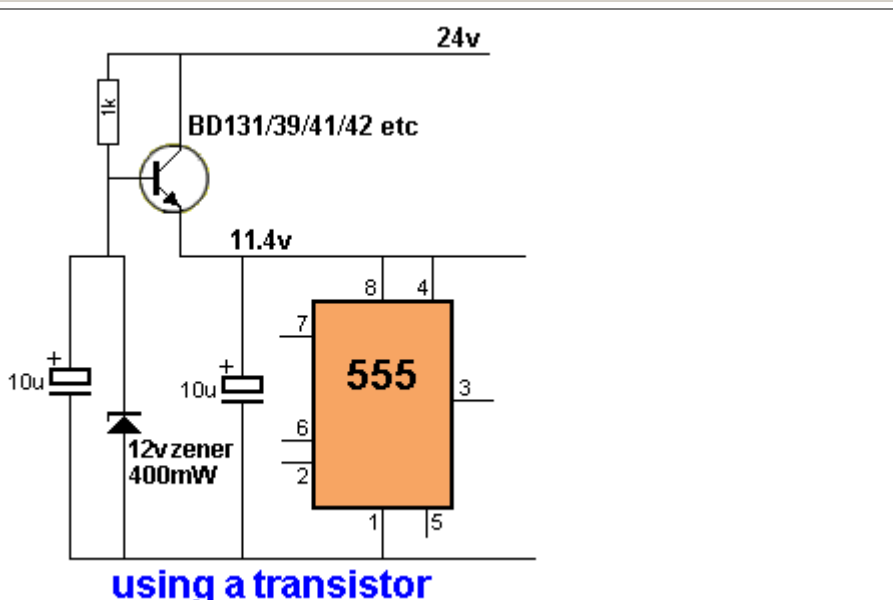
If the 555 circuit takes less than 30mA (the 555 takes 10mA) you can use a 400mW zener diode to drop the 24v supply to 12v for the 555. In other words, 12v is dropped across the zener.



FLASHING LEDs

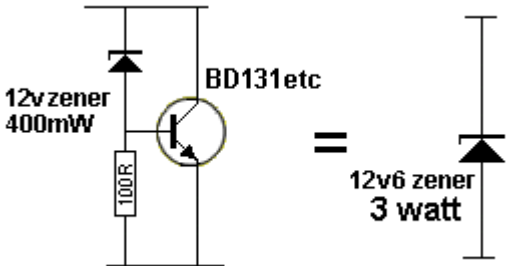
Up to 500mA:

The next circuit will allow up to 500mA. The transistor will need to be placed on a large heatsink. It is an emitter-follower-regulator transistor and can be used with a 400mW zener. The output voltage is 0.6v lower than the zener voltage.



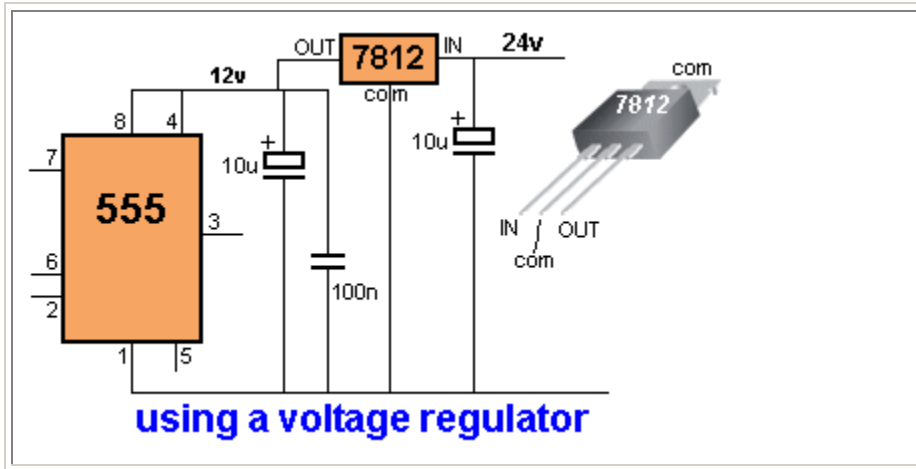
Up to 500mA with "Amplifier Zener"

A 400mW zener can be converted to a "Power Zener" by combining with a transistor as shown in the following circuit: 12.6v will be dropped across the rails. In other words, if the top rail is 24v, the bottom rail will be 11.4v.



Up to 1A:

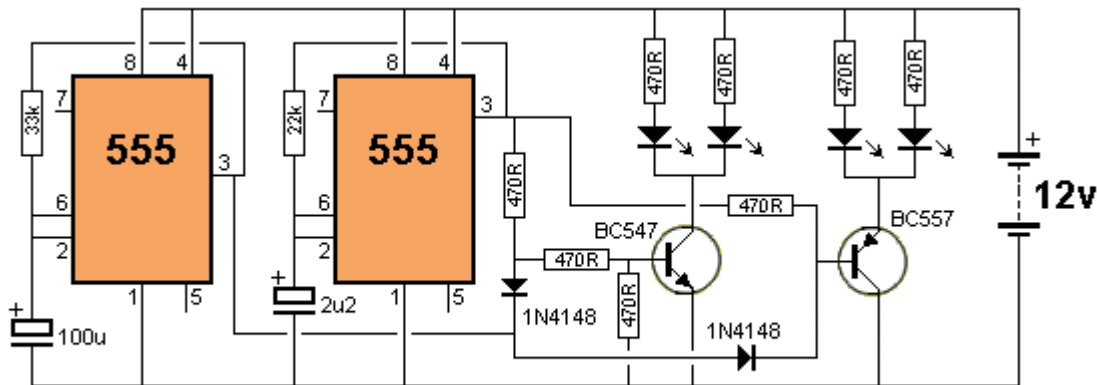
Using the next circuit will allow the 555 to take 200mA and the load to take 800mA. The 7812 will need to be placed on a large heatsink. The 7812 is called a 3-terminal VOLTAGE REGULATOR.



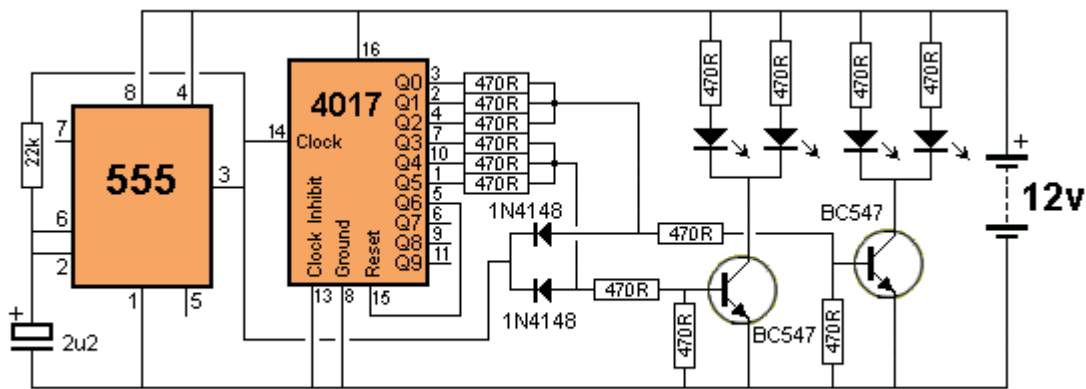
[to Index](#)

POLICE LIGHTS

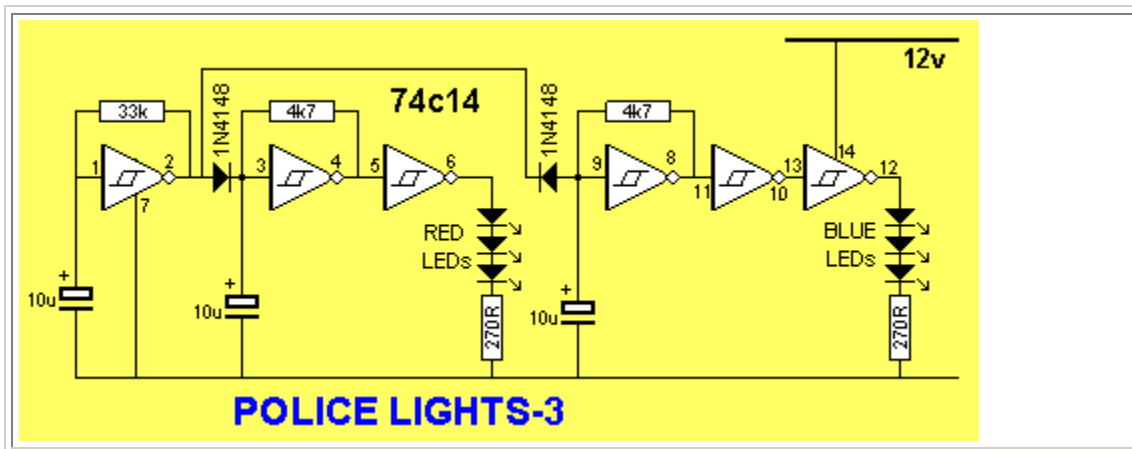
These three circuits flash the left LEDs 3 times then the right LEDs 3 times, then repeats. The only difference is the choice of chips.



POLICE LIGHTS



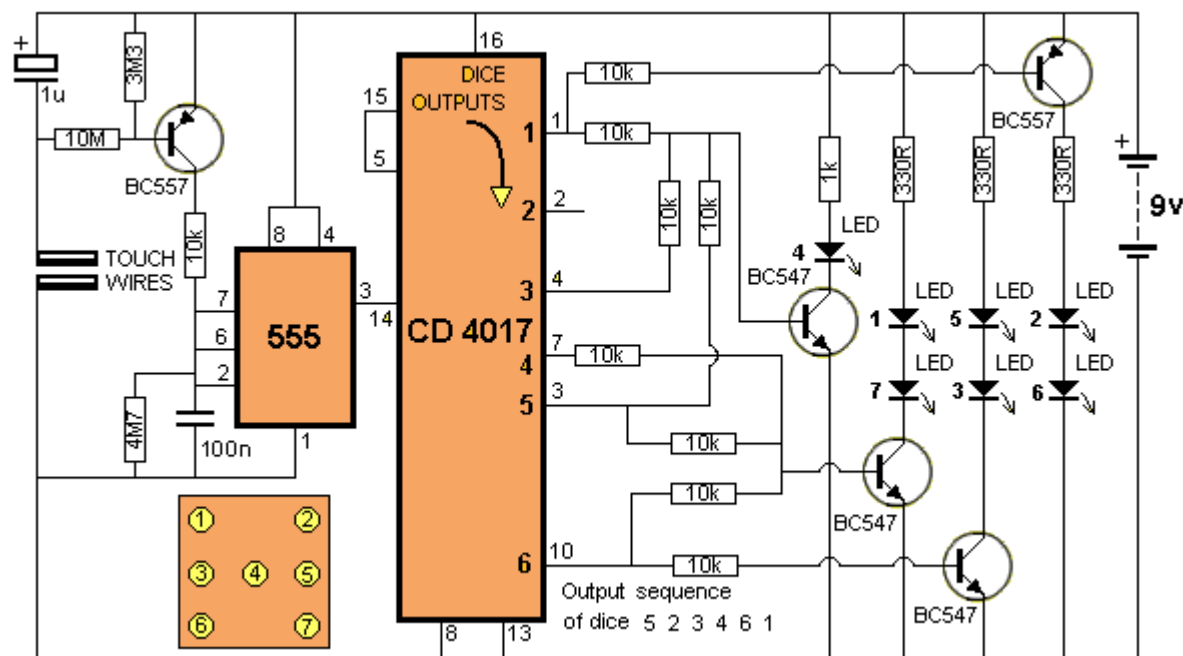
POLICE LIGHTS - 2



[to Index](#)

LED DICE with Slow Down

This circuit produces a random number from 1 to 6 on LEDs that are similar to the pips on the side of a dice. When the two TOUCH WIRES are touched with a finger, the LEDs flash very quickly and when the finger is removed, they gradually slow down and come to a stop. **LED Dice with Slow Down kit** is available from Talking Electronics.



BUY NOW



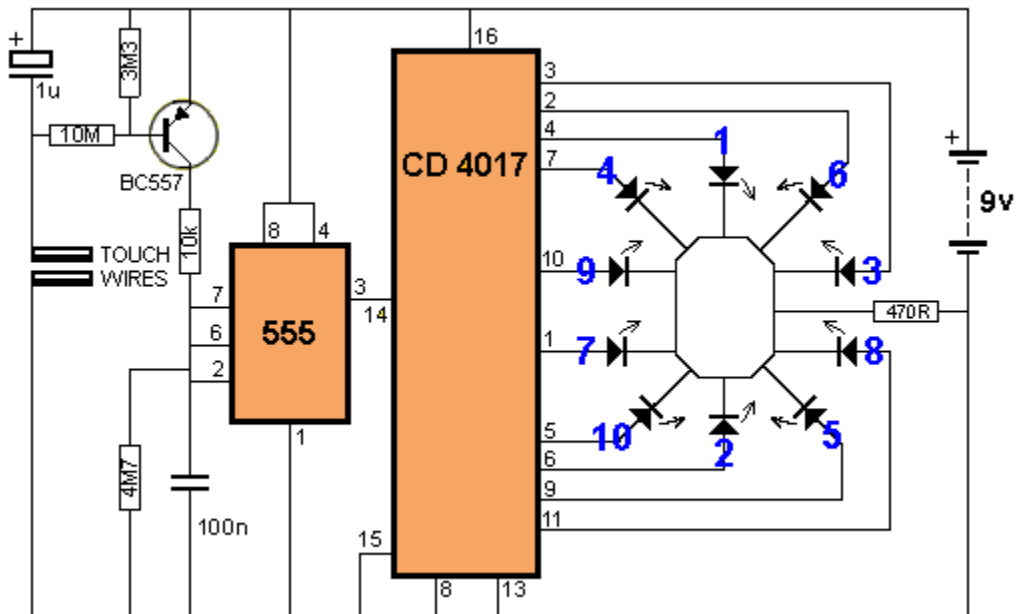
BUY NOW

The **LED Dice with Slow Down kit** is available for \$16.00 plus \$6.50 postage. The kit includes the parts and PC board.

[to Index](#)

ROULETTE

This circuit creates a rotating LED that starts very fast when a finger touches the TOUCH WIRES. When the finger is removed, the rotation slows down and finally stops.

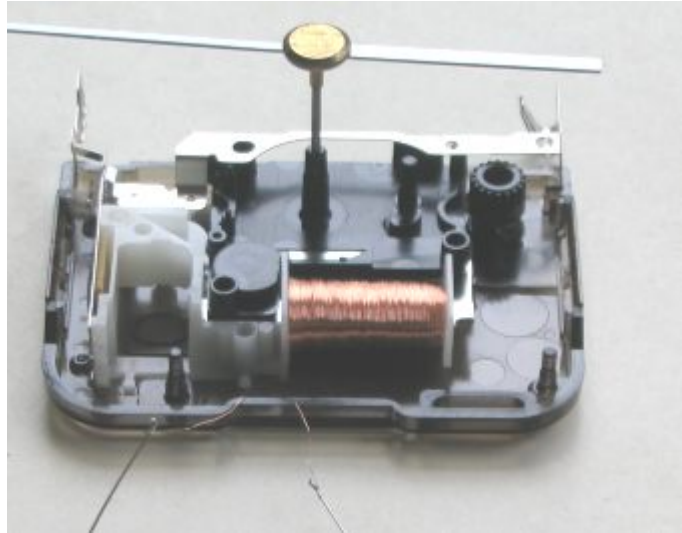
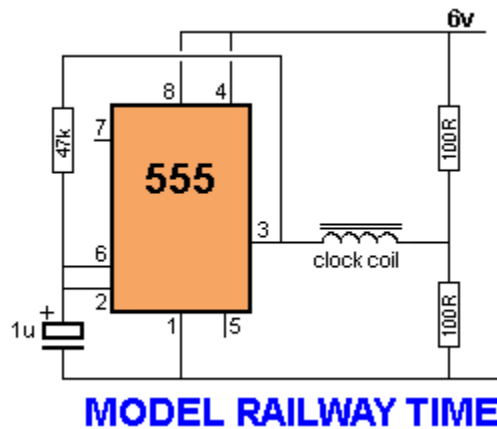


[to Index](#)

MODEL RAILWAY TIME

Here is a circuit that will convert any clock mechanism into Model Railway Time.

For those who enjoy model railways, the ultimate is to have a fast clock to match the scale of the layout. This circuit will appear to "make time fly" by turning the seconds hand once every 6 seconds. The timing can be adjusted by changing the 47k. The electronics in the clock is disconnected from the coil and the circuit drives the coil directly. The circuit takes a lot more current than the original clock (1,000 times more) but this is one way to do the job without a sophisticated chip.



[to Index](#)

AUTOMATIC CURTAIN CLOSER

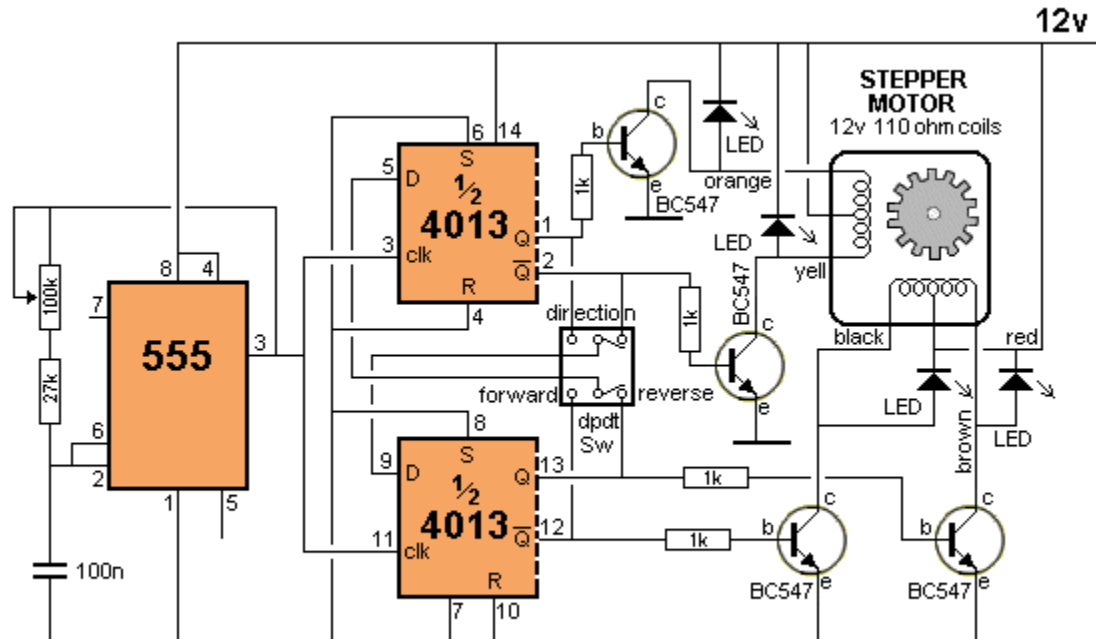
Circuit : Andy Collinson

Email: anc@mitedu.freemove.co.uk

coil. The initial charging current is sufficient to energize the relay and current flow through R4 sufficient to keep it energized.

[to Index](#)

STEPPER MOTOR CONTROLLER



STEPPER MOTOR CONTROLLER

This circuit controls the speed of a stepper motor via the 100k pot. The direction of rotation is determined by the double-pole double-throw switch.

The stepper motor used in this circuit came from an old scanner. It had 5 wires: red-black-yellow-brown-orange. The LEDs illuminate via the back-emf of the coils and prevent the spikes entering the transistors. The LEDs will flicker to show the pulses being received by the stepper motor.

The 27k stop-resistor limits the upper-frequency of the 555 and prevents the circuit producing pulses that are too fast for the stepper motor.

If the colour coding is different on your stepper motor and it fails to work, you only need to reverse two connections thus:

A B C D

A B D C (reverse the two end connections) and if this

fails,

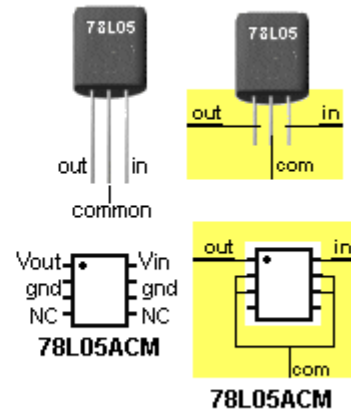
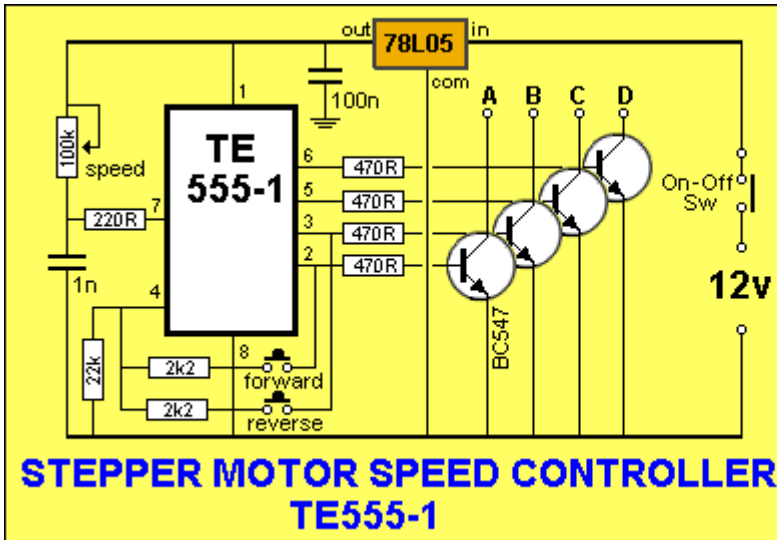
A D B C (reverse the two middle connections)



This stepper motor costs less than \$2.00 from [BG Micro](#) and has 6 wires as shown in the diagram above.

[to Index](#)

STEPPER MOTOR CONTROLLER TE555-1



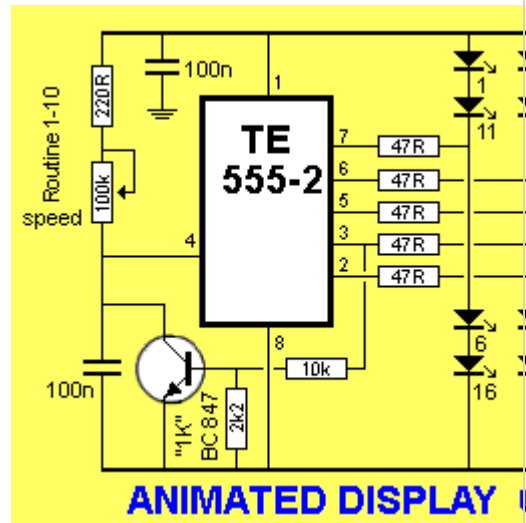
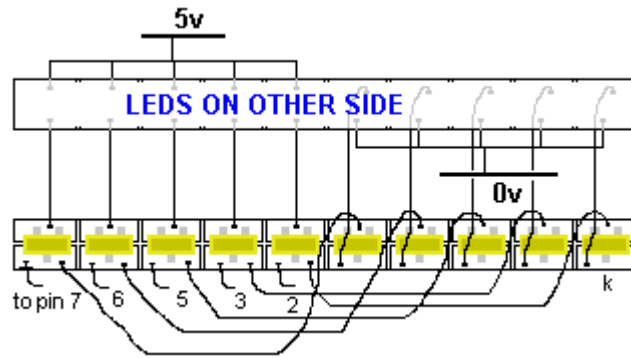
This circuit uses the latest [TE555-1](#) STEPPER MOTOR SPEED CONTROLLER chip from Talking Electronics. It is available for \$2.50 and controls the speed of a stepper motor via the 100k pot. The direction of rotation is determined by the FORWARD and REVERSE switches and the motor does not take any current when a switch is not pressed.

[to Index](#)

ANIMATED DISPLAY CONTROLLER TE555-2

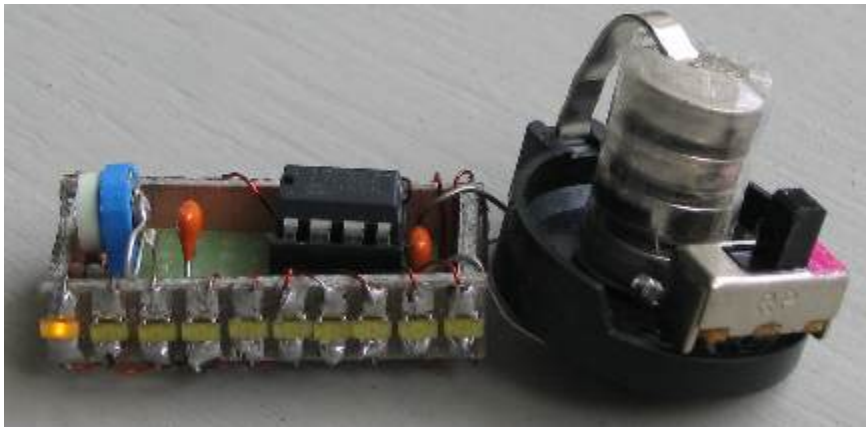


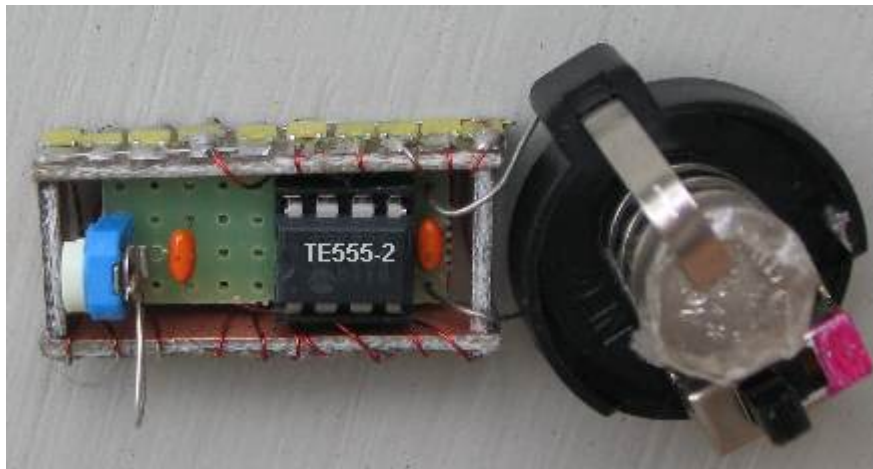
This circuit uses the latest [TE555-2](#) ANIMATED DISPLAY CONTROLLER chip from Talking Electronics. This 8-pin chip is available for \$2.50 and produces 7 different animations on a 10 LED display. The animations are selected by the position of a 100k pot and when the animation is showing, the pot can be adjusted to increase the speed of the animation. "Position 10" on the pot cycles through the 7 animations.



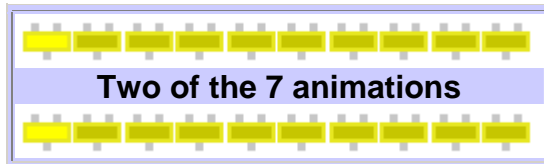
A kit of components (matrix board, PC board for LEDs, surface-mount resistors, capacitors, transistor, diode, switch, cells, battery holder, pot and 20 yellow LEDs with TE555-2 chip is available for \$15.00 plus \$5.00 postage. Click the link above and you will be sent an email with the costs. This is an ideal project you get you into surface-mount technology and you can add it to a model layout or build it into a Lego brick for a junior member.

Wiring the two ten-LED displays





The project has two 10-LED displays. One on the front and one on the back



[to Index](#)

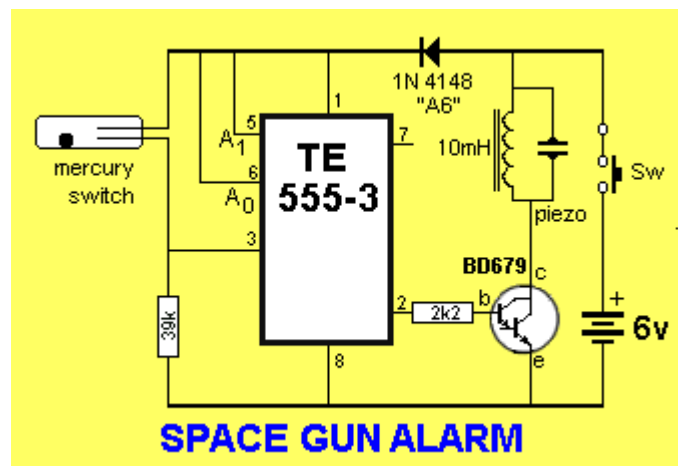
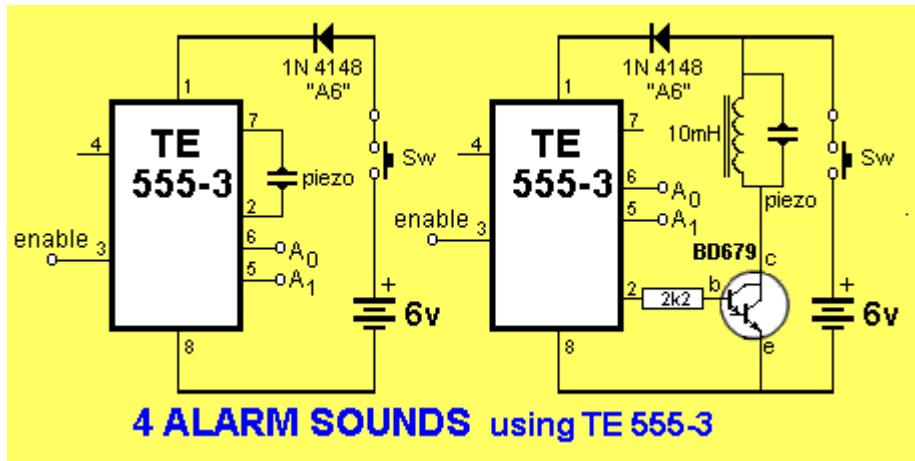
FOUR ALARMS SOUNDS TE555-3



This circuit uses the latest [TE555-3](#) **FOUR ALARM SOUNDS** chip from Talking Electronics. This 8-pin chip is available for \$2.50 and produces 4 different alarm sounds. The chip can be used as a complete alarm system. All you need is a piezo diaphragm and the output will be enough for a single room. To create a very loud output you can add a buffer transistor and piezo speaker and the sounds will be deafening.

Just think of it. A complete alarm circuit for \$2.50 plus a switch, battery and output piezo (such as a piezo tweeter). All the components are available from Talking Electronics and you just need to email Colin Mitchell: talking@tpg.com.au with your list of items.

The output is set to produce an alarm for 3 minutes then stops.



The chip set-up as an alarm

| A1 | A0 | Alarm Output |
|----|----|------------------------|
| 0 | 0 | Continuous 2.4kHz tone |
| 0 | 1 | Chirps |
| 1 | 0 | Siren |
| 1 | 1 | Space Gun |

Control lines A0 and A1 are tied HIGH or LOW and when "enable" line is taken HIGH, the tone is emitted from pins 2 and 7 (in toggle mode). Pin 2 is LOW when the chip is at rest. To get a very loud output, pin 2 drives a Darlington transistor and piezo tweeter with a 10mH choke across the piezo to produce a waveform of nearly 100v. The circuit consumes 0.1mA when at rest.

[to Index](#)

DICE TE555-4



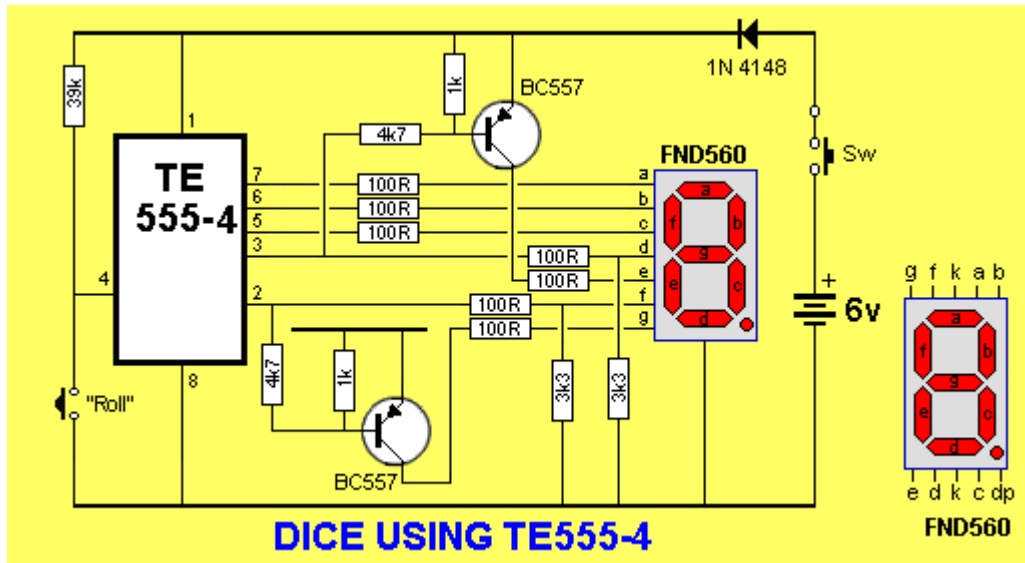
TE 555-4

just \$2.50

[CLICK TO BUY](#)



This circuit uses the latest [TE555-4 DICE](#) chip from Talking Electronics. This 8-pin chip is available for \$2.50 and drives a 7-Segment display. The circuit can be assembled on proto-type board. For more help on the list of components, email Colin Mitchell: talking@tpg.com.au



[to Index](#)

LED FX TE555-5



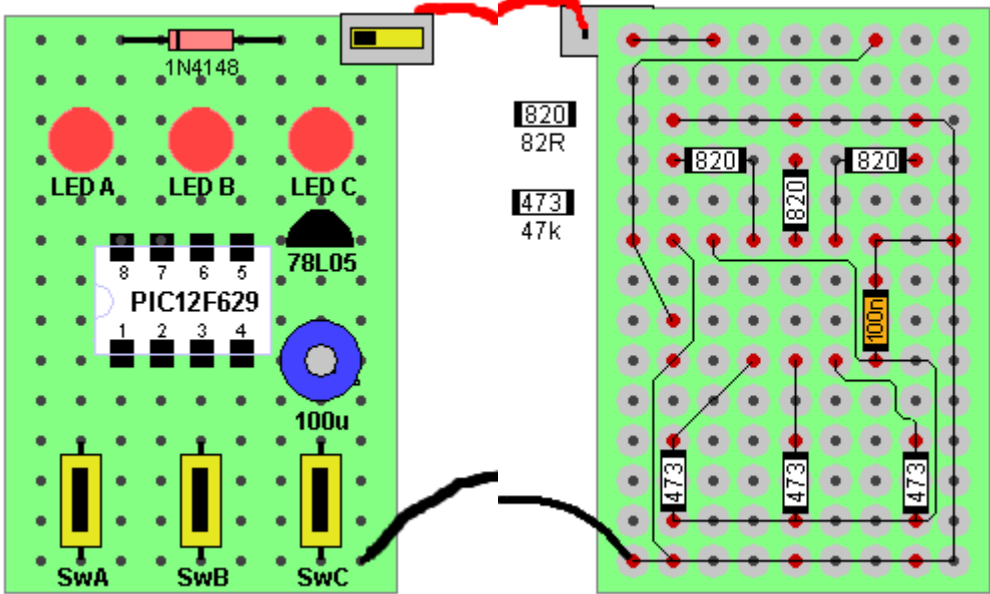
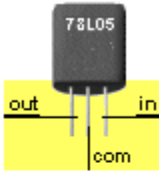
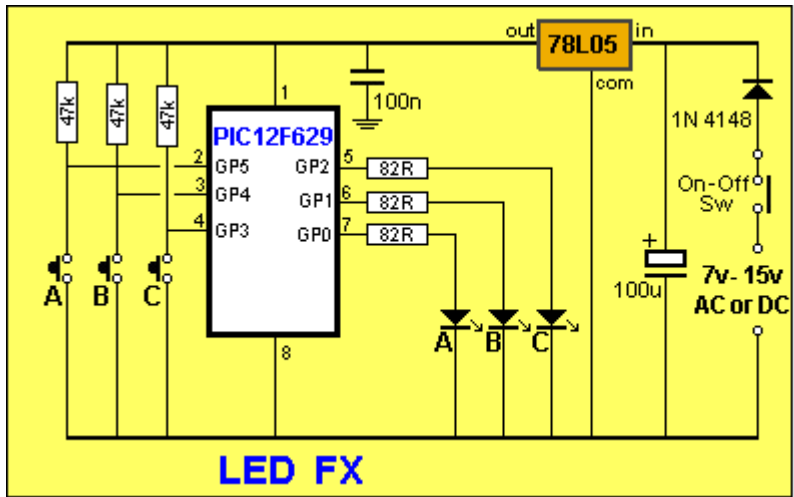
TE 555-5

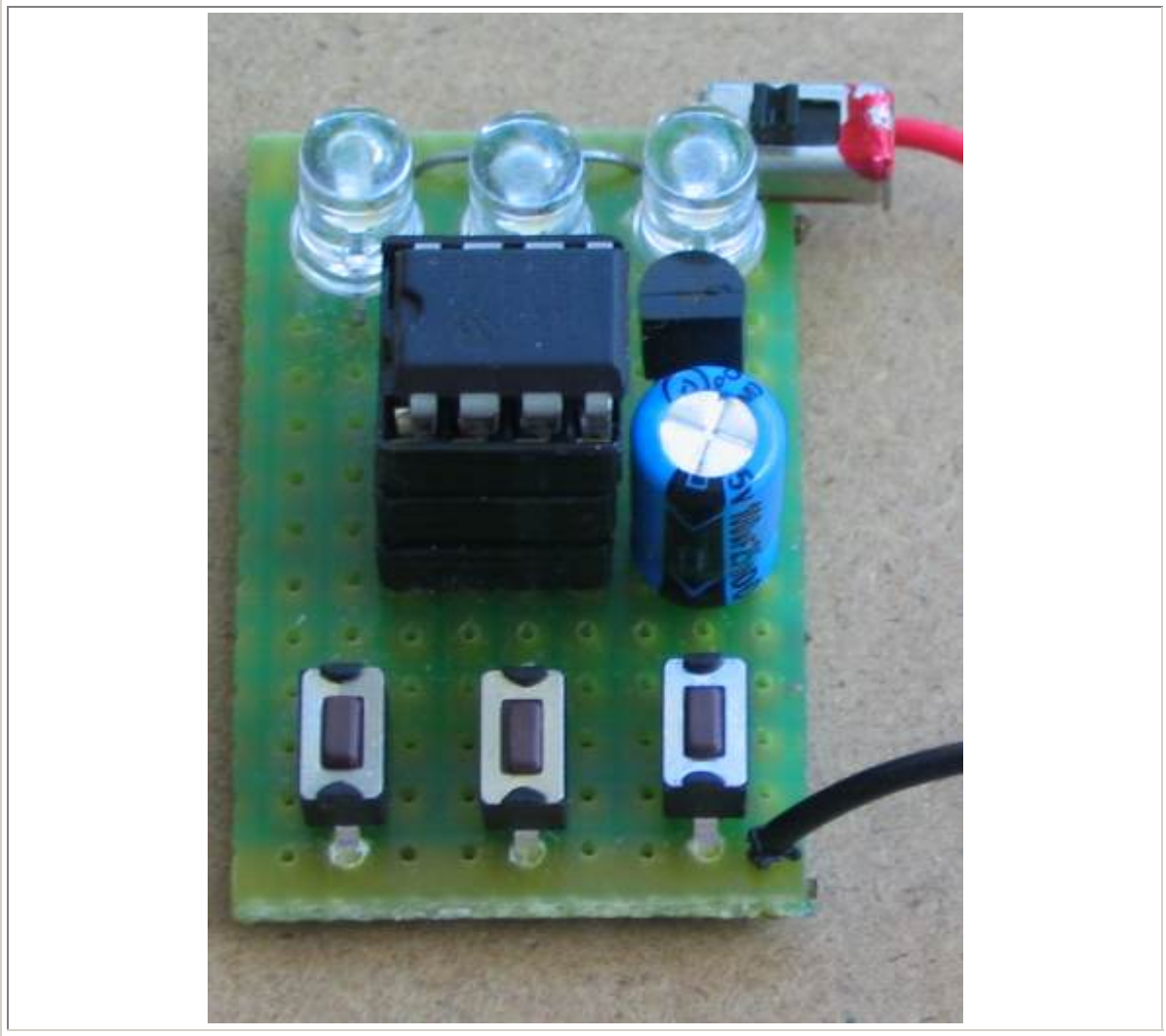
just \$2.50

[CLICK TO BUY](#)



This circuit uses the latest [TE555-5 LED FX](#) chip from Talking Electronics. This 8-pin chip is available for \$2.50 and drives 3 LEDs. The circuit can be assembled on matrix board. The circuit produces 12 different sequences including flashing, chasing, police lights and flicker. It also has a feature where you can create your own sequence and it will show each time the chip is turned on. The kit of components and matrix board can be purchased for \$15.00 plus postage. Email Colin Mitchell: talking@tpg.com.au for more details.





FAULTS

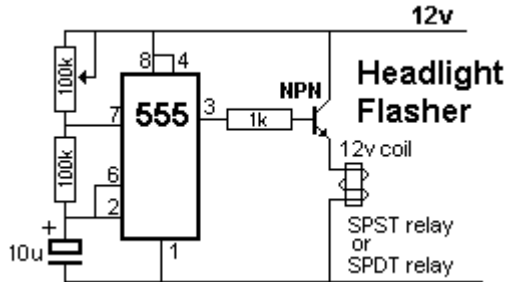
Here are some circuits with faults. They come from projects on the web:

[to Index](#)

HEADLIGHT FLASHER

This circuit flashes headlights via a relay but the relay is only getting 10v due to the voltage-loss of the 555 and 0.6v of the transistor: The transistor should be common-emitter configuration.

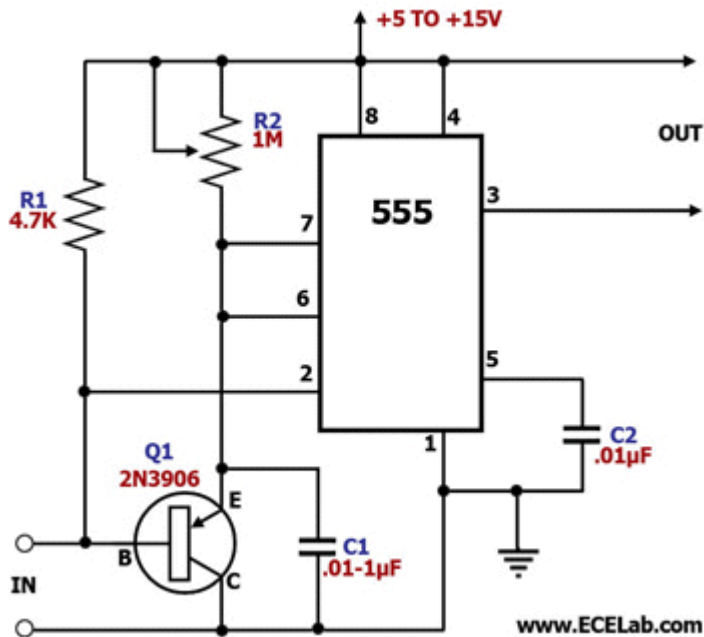
In addition, the pot will be damaged if turned to zero ohms. A 1k should be placed in series with the pot (at pin7 end).



[to Index](#)

MISSING PULSE DETECTOR

This circuit is described on the web as a missing pulse detector. If the 1M pot is turned to zero ohms, it will be damaged when the transistor inside the 555 at pin 7 connects to 0v rail.



[to Index](#)

MERCURY SWITCH DETECTOR

This circuit is a LATCH CIRCUIT and it detects when the mercury switch is tilted. But it is consuming 10mA while it is sitting around waiting for the mercury switch to make contact. By replacing the 555 with two transistors, the circuit will consume zero current when waiting for the switch to close. Sometimes a 555 is not the ideal choice.

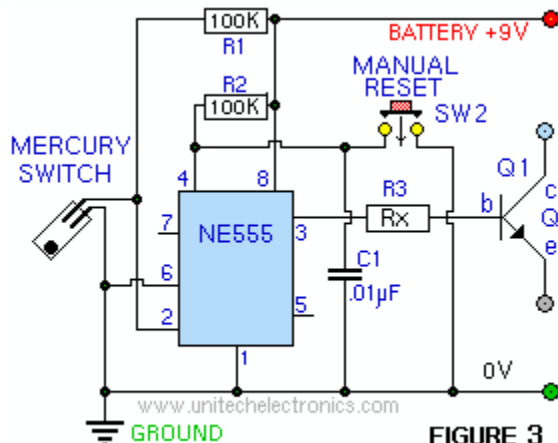
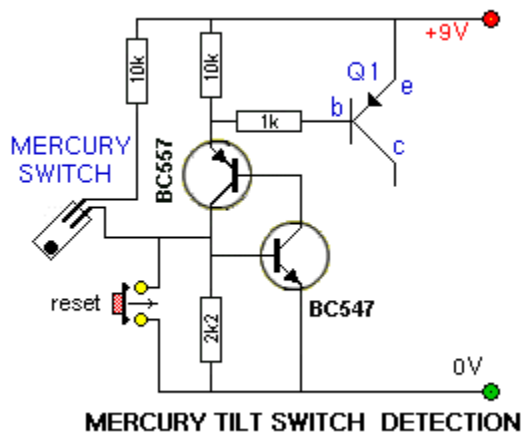


FIGURE 3
MERCURY TILT SWITCH DETECTION



MERCURY TILT SWITCH DETECTION

BUY NOW

555 KIT

A kit of components to make many of the circuits described in this eBook is available for \$10.00 plus \$7.00 post.

Or email Colin Mitchell: talking@tpg.com.au

The kit contains the following components:
(plus extra 30 resistors and 10 capacitors for experimenting), plus:

- 2 - 220R
- 2 - 1k
- 2 - 4k7
- 2 - 10k
- 2 - 33k
- 2 - 100k
- 2 - 1M
- 1 - 10k mini pot
- 1 - 100k mini pot
- 2 - 10n
- 2 - 100n
- 1 - 10u electrolytic
- 1 - 100u electrolytic
- 2 - 1N4148 signal diodes
- 2 - BC547 transistors
- 1 - BC557 transistor
- 1 - 555 timer chip
- 1 - 8 pin IC socket
- 1 - red LED
- 1 - green LED
- 1 - orange LED
- 1 - mini 8R speaker
- 1 - mini piezo
- 1 - LDR (Light Dependent Resistor)
- 1 - 10mH inductor
- 1 - push button
- 4 - tactile push buttons
- 1 - **Experimenter Board** (will take 8, 14 and 16 pin chips)

THE FUTURE

This eBook has shown the enormous number of circuits that can be produced with a 555.

However there is something we should point out.

The 555 has limitations and disadvantages.

It is not a chip you readily add to battery operated devices as its current consumption is quite high at 10mA. (There is a whole range of low-current equivalents.)

Secondly, the 555 is not a chip you add to a complex circuit as there are many other chips that can perform the task of a 555 and you will have additional gates within the chip for other sections of the circuit. The 74c14 is an example. It has 6 Schmitt trigger gates and each gate can be wired as an oscillator or delay and the chip takes less than 1mA.

Before designing a circuit around a 555, you should look at our eBook: [100 IC Circuits](#). It has many "building Blocks" to help you design your own circuits.

[to Index](#)

